



Since 1959

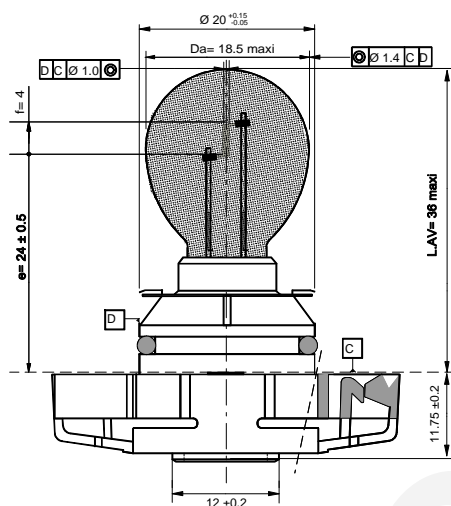
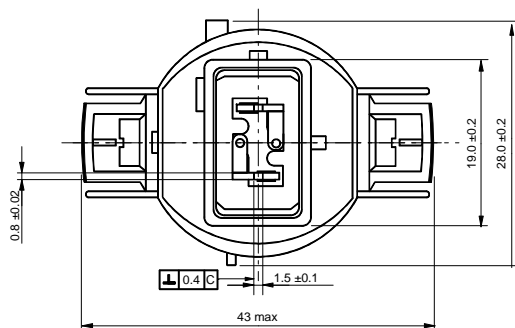
### Product Information Sheet

## PSY24W 12V Silver Vision Plus

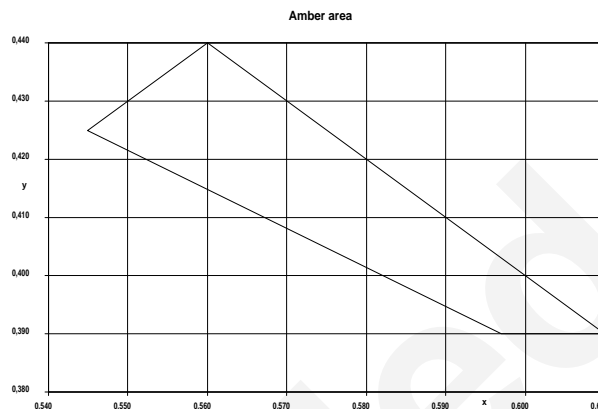
HiPer E18 PSY24W 12V PG20/4 SV + A

# 5200S

Date : 03/24/2009



Dimensions in mm



\*\*BULB NOT MANUFACTURED BY CEC INDUSTRIES\*\*

#### Turn signal

PSY24W 12V

Cap : PG20/4

IEC 61-1 / 7004-127-

Type : 12180 SV +

Code Nr : 9246 547 171

C-8Z

Straight-axial -"Z" shape

ECE R37

E4 2MH

Made in France, Chartres

#### Colour

Required area ECE R37

#### Photometric values

Photometry voltage 13,5V DC  
 Power 24,00 W ±4,1%  
 Luminous flux 300,0 lm +15/-25%

#### Mechanical values

Mechanical bulb resistance 40,0 N min.

#### Reliability

Life test voltage 13,5V DC  
 Life test cycle 90/min - 50% - 15"ON/15"OFF (Blinking)  
 Lumen maintenance at 1 000 h  
 Lumen maintenance 70,0 % min.  
 Colour maintenance at 1 000 h  
 Life : Tc 2 400 h  
 Life : B3 1 000 h

#### Resistance to environment

Maximum permissible bulb temperature 350 °C max.

Product specifications are subject to modification without prior notice

# CEC INDUSTRIES LTD

599 Bond St, Lincolnshire, IL 60069