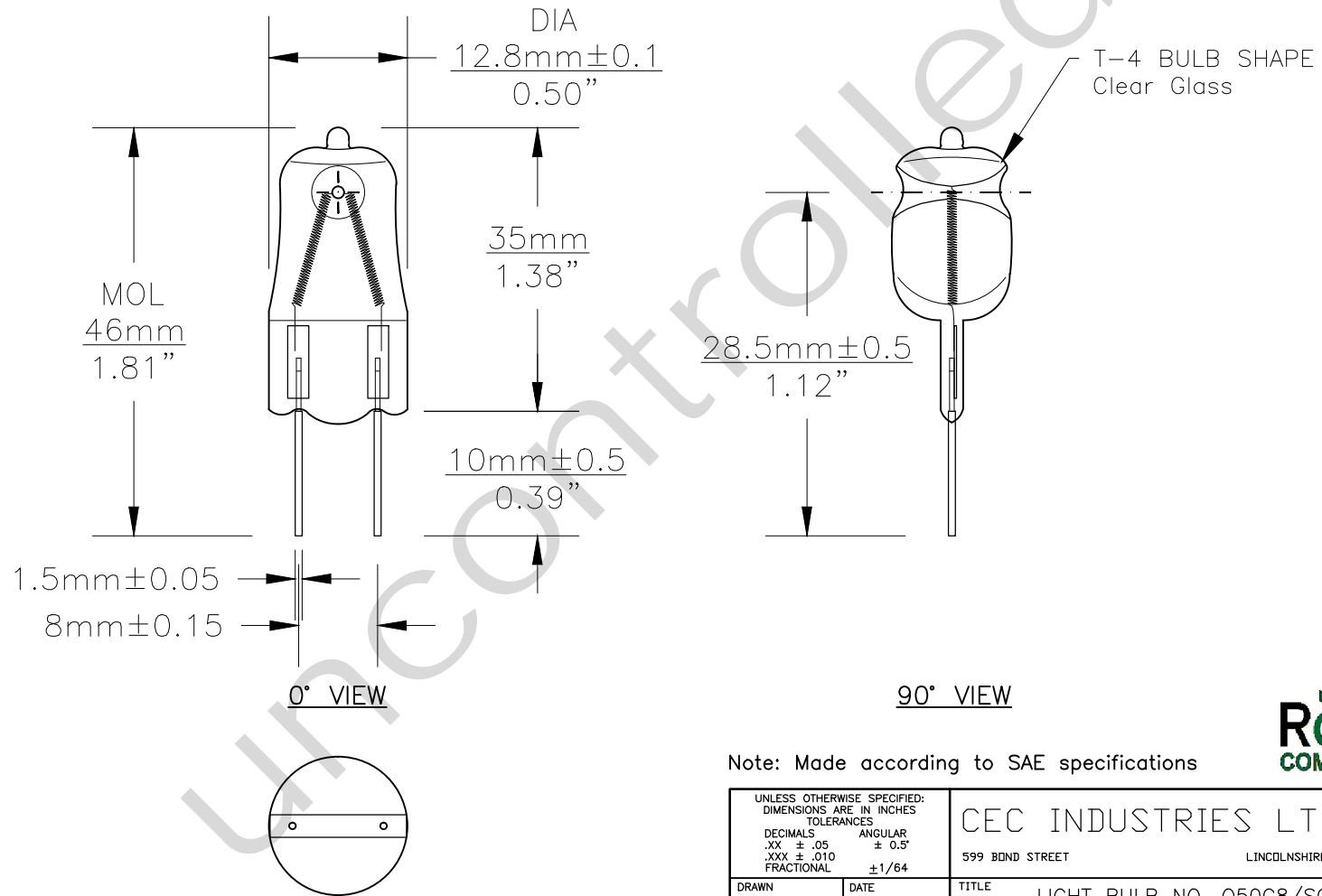




Since 1959

PART NO.	BASE TYPE	DESIGN VOLTS	DESIGN WATTS	LUMENS	FILAMENT TYPE	AVERAGE LIFE HOURS	REVISIONS			
							REV #	DESCRIPTION	DATE	APPROVED
Q50G8/SCD	G8	120V	50W±10%	700±25%	C-2V	1300	1	ISSUED	06/05/2018	R.M.



BASE BOTTOM VIEW

Note: Made according to SAE specifications



UNLESS OTHERWISE SPECIFIED: DIMENSIONS ARE IN INCHES TOLERANCES		CEC INDUSTRIES LTD			
DECIMALS	ANGULAR	599 BOND STREET		LINCOLNSHIRE, IL 60069	
.XX ± .05	± 0.5°	TITLE LIGHT BULB NO. Q50G8/SCD			
.XXX ± .010		SIZE A	FSCM NO.	DWG NO. Q50G8/SCD	REV 1
FRACTIONAL	± 1/64	DESIGN	SCALE	PLOT SCALE	SHEET 1 OF 1
DRAWN ROSE MEDINA		DATE 06/05/2018		MATERIAL	
CHECKED		FILE Q50G8-SCD.pdf		DRAWING NOT TO SCALE	