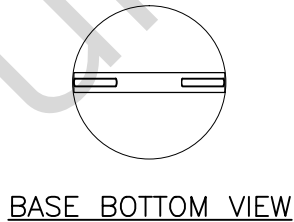
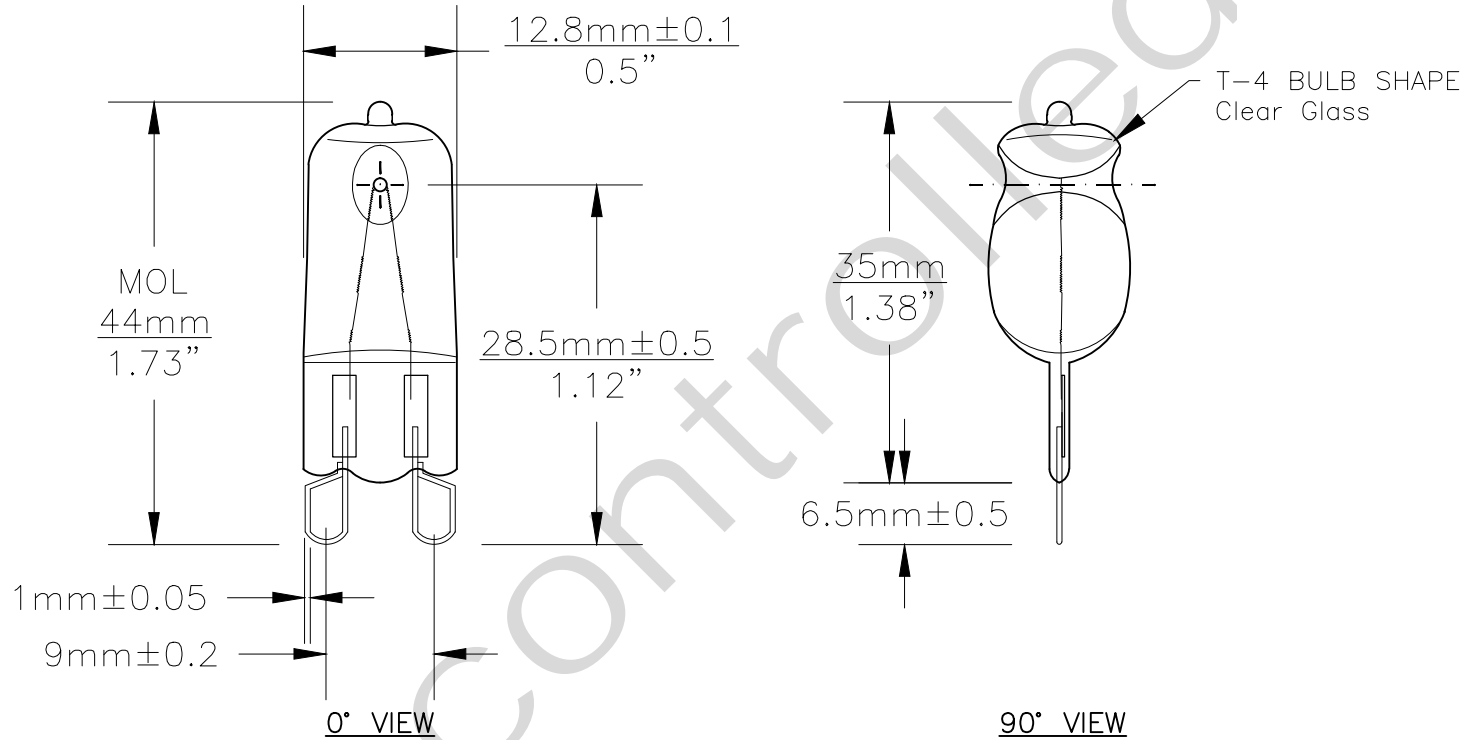




Since 1959

PART NO.	BASE TYPE	DESIGN VOLTS	DESIGN WATTS	LUMENS	FILAMENT TYPE	AVERAGE LIFE HOURS	REVISIONS			
							REV #	DESCRIPTION	DATE	APPROVED
Q25G9/CD 60W	G9	120V	60W±10%	780±25%	C-2V	3000	1	ISSUED	06/05/2018	R.M.



Note: Made according to SAE specifications



UNLESS OTHERWISE SPECIFIED: DIMENSIONS ARE IN INCHES TOLERANCES		CEC INDUSTRIES LTD			
DECIMALS	ANGULAR	599 BOND STREET		LINCOLNSHIRE, IL 60069	
.XX ± .05	± 0.5°	TITLE LIGHT BULB NO. Q25G9/CD-60W			
.XXX ± .010		SIZE A	FSCM NO.	DWG NO. Q25G9/CD-60W	REV 1
FRACTIONAL	± 1/64	DESIGN	SCALE	PLOT SCALE	SHEET 1 OF 1
DRAWN ROSE MEDINA DATE 06/05/2018		MATERIAL Q25G9-CD-60W.pdf DRAWING NOT TO SCALE			