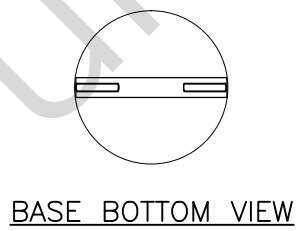
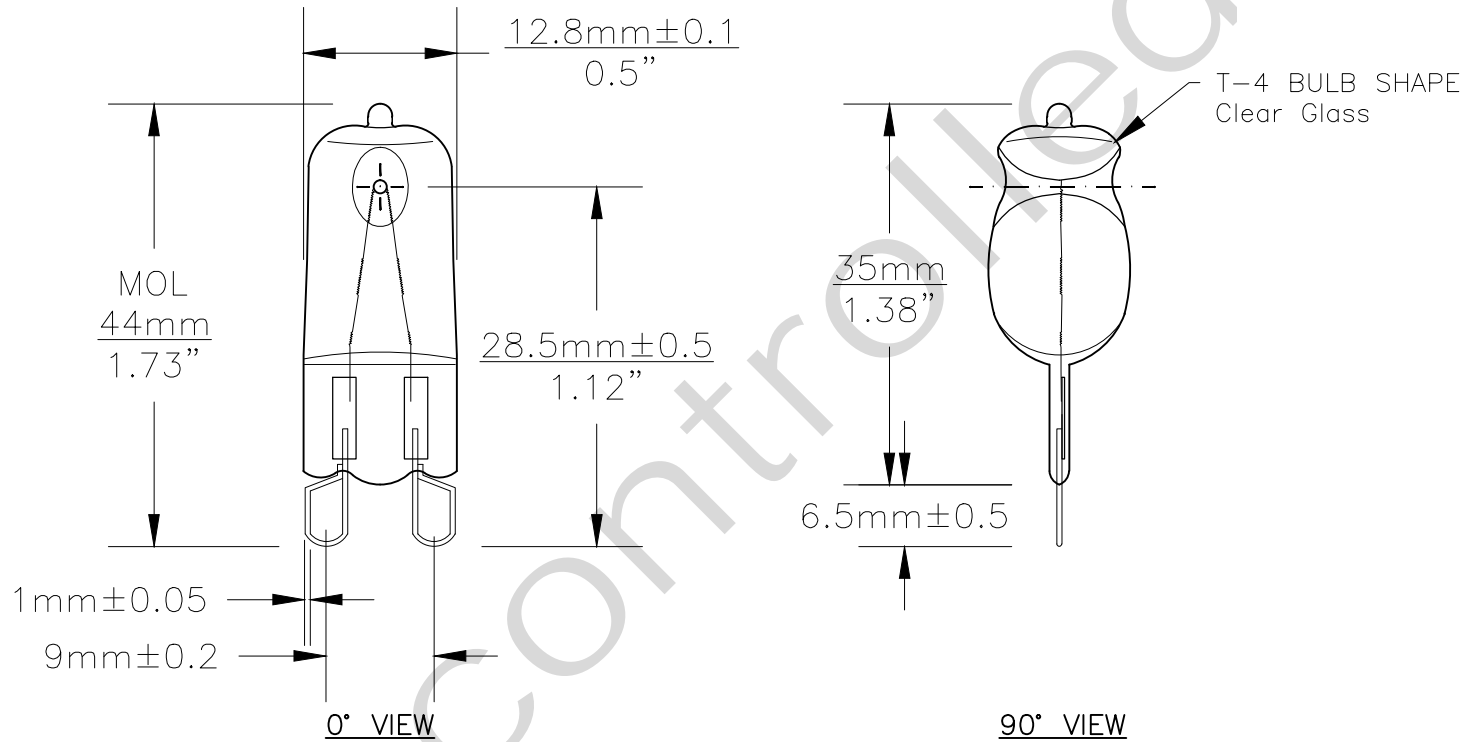




Since 1959

PART NO.	BASE TYPE	DESIGN VOLTS	DESIGN WATTS	LUMENS	FILAMENT TYPE	AVERAGE LIFE HOURS	REVISIONS			
							REV #	DESCRIPTION	DATE	APPROVED
Q25G9/CD 40W	G9	120V	40W±10%	480±25%	C-2V	3000	1	ISSUED	06/05/2018	R.M.



Note: Made according to SAE specifications



UNLESS OTHERWISE SPECIFIED: DIMENSIONS ARE IN INCHES TOLERANCES		CEC INDUSTRIES LTD			
DECIMALS	ANGULAR	599 BOND STREET		LINCOLNSHIRE, IL 60069	
.XX ± .05	± 0.5°				
.XXX ± .010					
FRACTIONAL	± 1/64				
DRAWN ROSE MEDINA	DATE 06/05/2018	TITLE LIGHT BULB NO. Q25G9/CD-40W			
CHECKED	SIZE A	FSCM NO.	DWG NO. Q25G9/CD-40W	REV 1	
DESIGN	SCALE	PLOT SCALE	SHEET 1 OF 1		
MATERIAL	FILE Q25G9-CD-40W.pdf	DRAWING NOT TO SCALE			