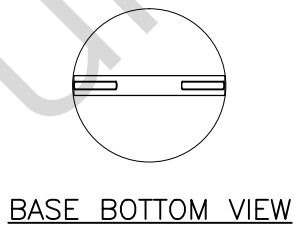
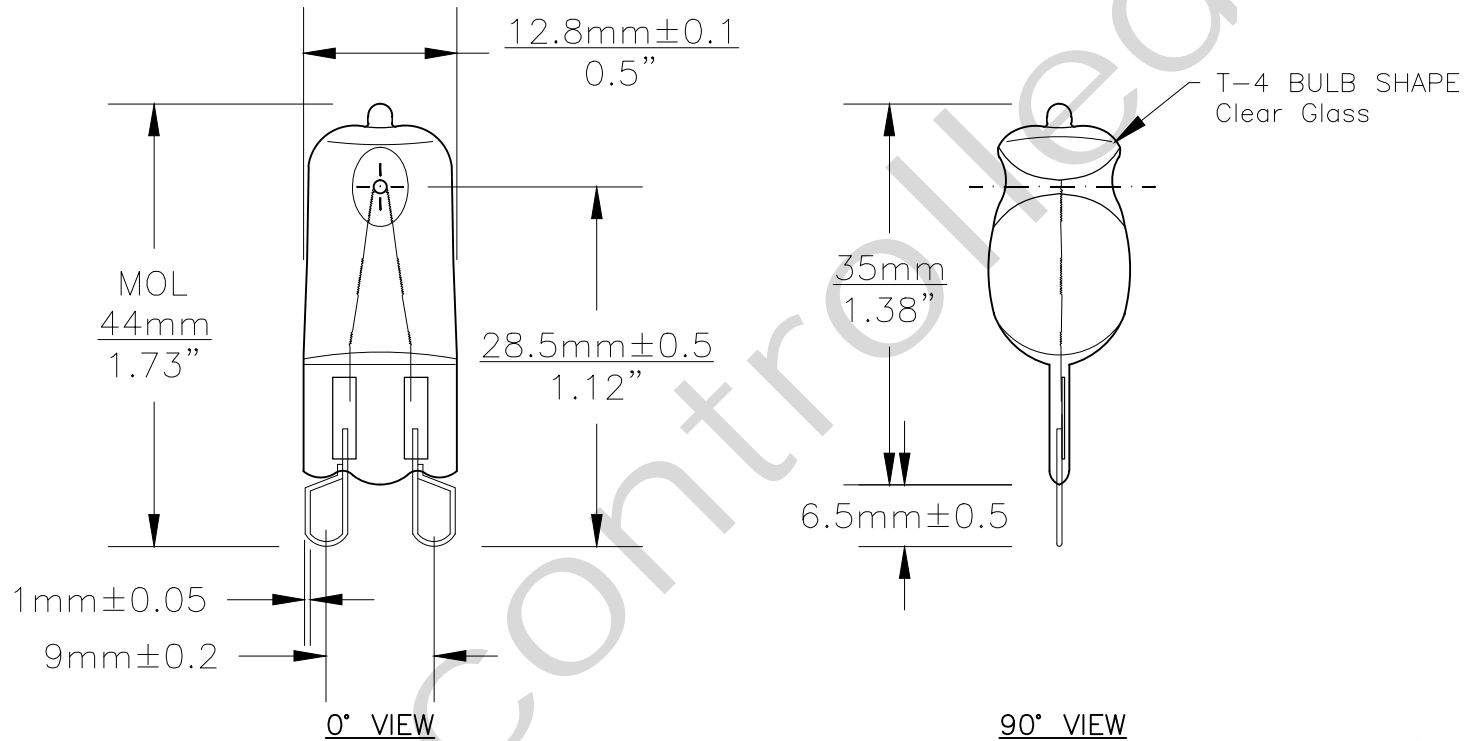




Since 1959

PART NO.	BASE TYPE	DESIGN VOLTS	DESIGN WATTS	LUMENS	FILAMENT TYPE	AVERAGE LIFE HOURS	REVISIONS			
							REV #	DESCRIPTION	DATE	APPROVED
Q25G9/CD 25W	G9	120V	25W±10%	240±25%	C-2V	3000	1	ISSUED	06/05/2018	R.M.



Note: Made according to SAE specifications



UNLESS OTHERWISE SPECIFIED: DIMENSIONS ARE IN INCHES TOLERANCES		CEC INDUSTRIES LTD			
DECIMALS	ANGULAR	599 BOND STREET		LINCOLNSHIRE, IL 60069	
.XX ± .05	± 0.5°	TITLE LIGHT BULB NO. Q25G9/CD-25W			
.XXX ± .010		DRAWN ROSE MEDINA	DATE 06/05/2018	SIZE A	REV 1
FRACTIONAL	± 1/64	CHECKED	FSCM NO.	DWG NO. Q25G9/CD-25W	
		DESIGN	SCALE	PLOT SCALE	SHEET 1 OF 1
		MATERIAL	FILE Q25G9-CD-25W.pdf	DRAWING NOT TO SCALE	