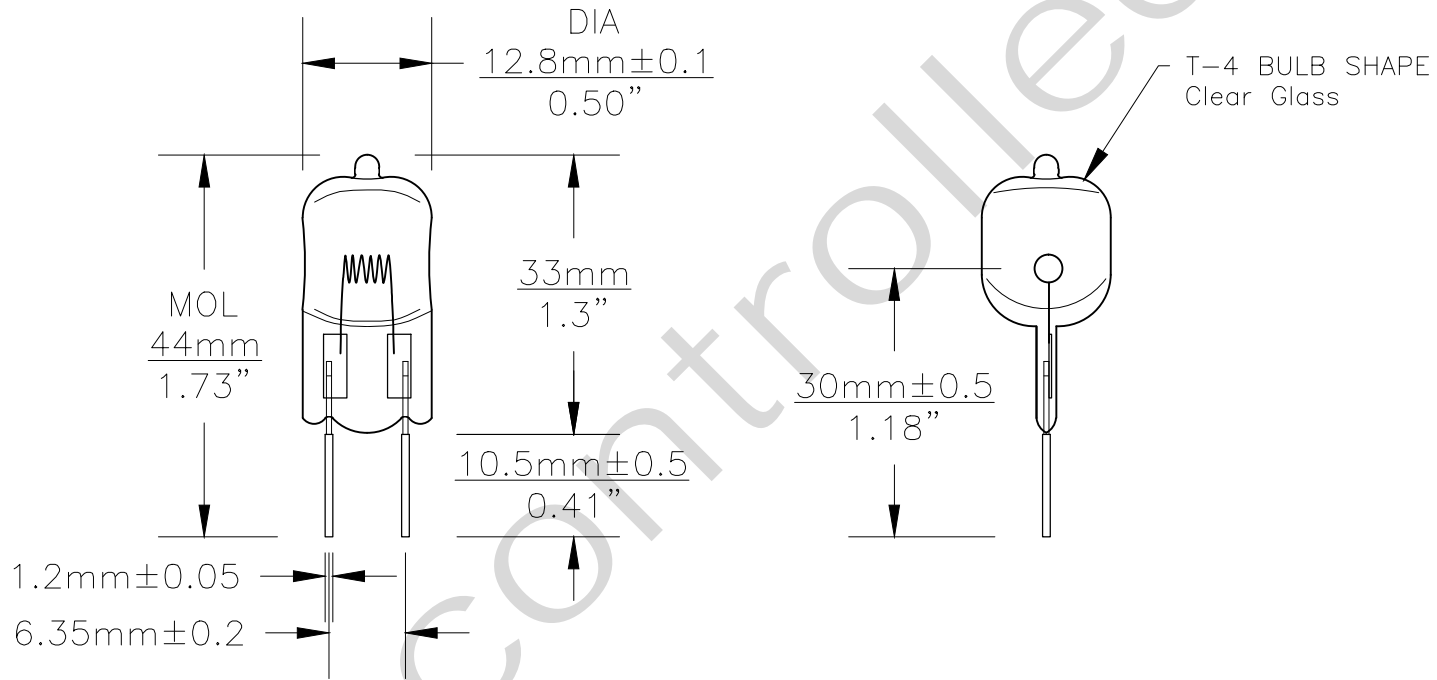




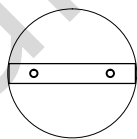
Since 1959

| PART NO. | BASE TYPE | DESIGN VOLTS | DESIGN WATTS | LUMENS | FILAMENT TYPE | AVERAGE LIFE HOURS | REVISIONS | | | |
|---------------|-----------|--------------|--------------|----------|---------------|--------------------|-----------|-------------|------------|----------|
| | | | | | | | REV # | DESCRIPTION | DATE | APPROVED |
| Q100T3/24V/CL | GY6.35 | 24V | 100W±10% | 2000±25% | CC-6 | 1500 | 1 | ISSUED | 06/05/2018 | R.M. |
| | | | | | | | | | | |
| | | | | | | | | | | |



0° VIEW

90° VIEW



BASE BOTTOM VIEW

Note: Made according to SAE specifications



| | | | | | |
|---|---------------------------|---------------------------------------|--------------------------|------------------------|--|
| UNLESS OTHERWISE SPECIFIED: DIMENSIONS ARE IN INCHES TOLERANCES | | CEC INDUSTRIES LTD | | | |
| DECIMALS | ANGULAR | 599 BOND STREET | | LINCOLNSHIRE, IL 60069 | |
| .XX ± .05 | ± 0.5° | | | | |
| .XXX ± .010 | | | | | |
| FRACTIONAL | ± 1/64 | | | | |
| DRAWN ROSE MEDINA | DATE 06/05/2018 | TITLE LIGHT BULB NO. Q100T3/24V/CL | | | |
| CHECKED | SIZE A | FSCM NO. | DWG NO. Q100T3/24V/CL | REV 1 | |
| DESIGN | SCALE | PLOT SCALE | SHEET 1 OF 1 | | |
| MATERIAL | FILE Q100T3-24V-CL.pdf | DRAWING NOT TO SCALE | | | |