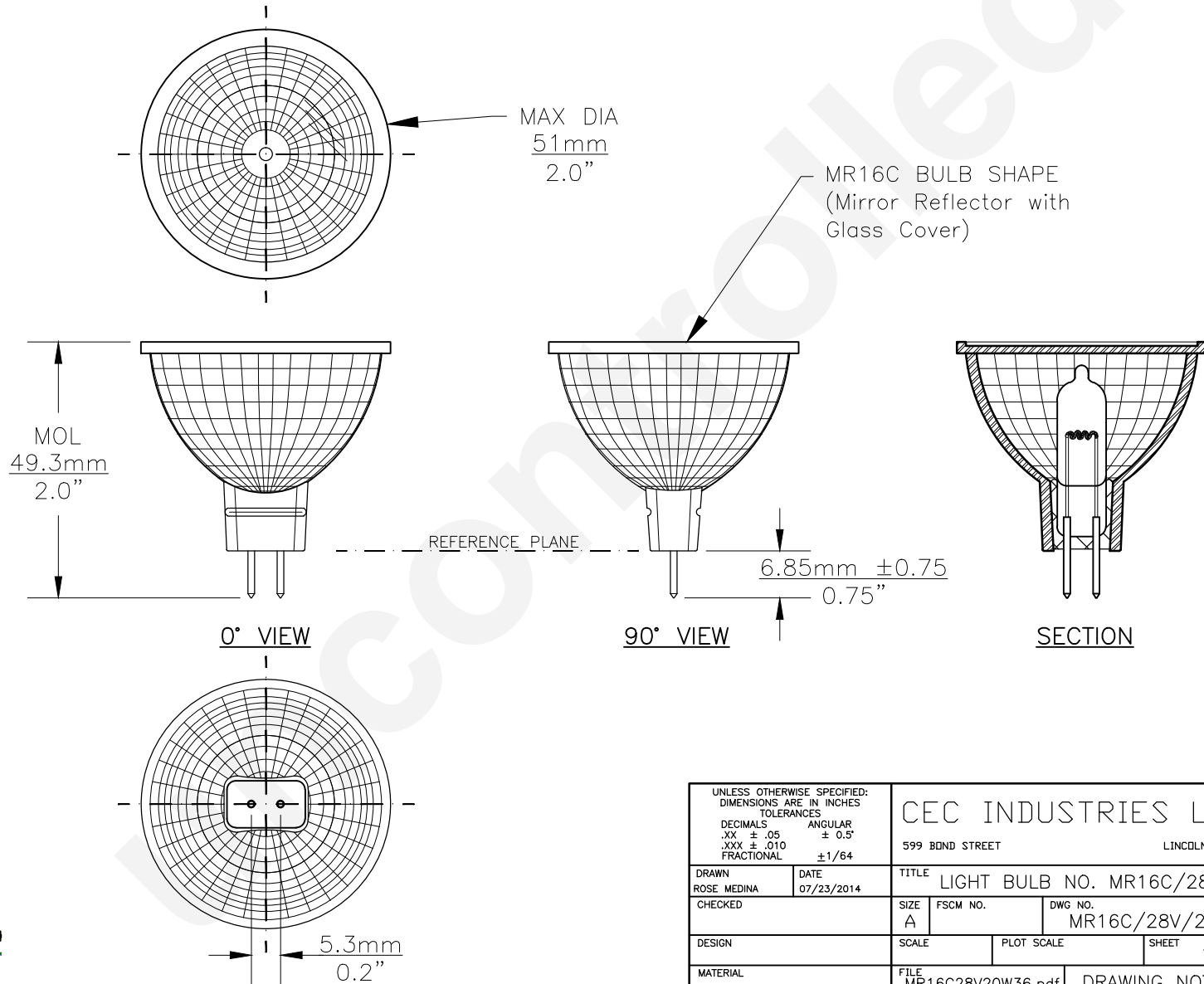




PART NO.	BASE TYPE	DESIGN VOLTS	DESIGN AMPS	MSCD	FILAMENT TYPE	AVERAGE LIFE HOURS
MR16C/28V/20W/36°	GU5.3	28V	0.714±10%	700±15%	C-6	4000

REVISIONS			
REV #	DESCRIPTION	DATE	APPROVED
1	ISSUED	07/23/2014	R.M.



UNLESS OTHERWISE SPECIFIED:
DIMENSIONS ARE IN INCHES
TOLERANCES
DECIMALS .XX ± .05 ANGULAR ± 0.5°
.XXX ± .010
FRACTIONAL ± 1/64

CEC INDUSTRIES LTD

599 BOND STREET

LINCOLNSHIRE, IL 60069

DRAWN
ROSE MEDINA

DATE
07/23/2014

TITLE
LIGHT BULB NO. MR16C/28V/20W/36°

CHECKED

SIZE
A

FSCM NO.

DWG NO.

MR16C/28V/20W/36°

REV
1

DESIGN

SCALE

PLOT SCALE

SHEET

1 OF

1

MATERIAL

FILE
MR16C28V20W36.pdf

DRAWING NOT TO SCALE