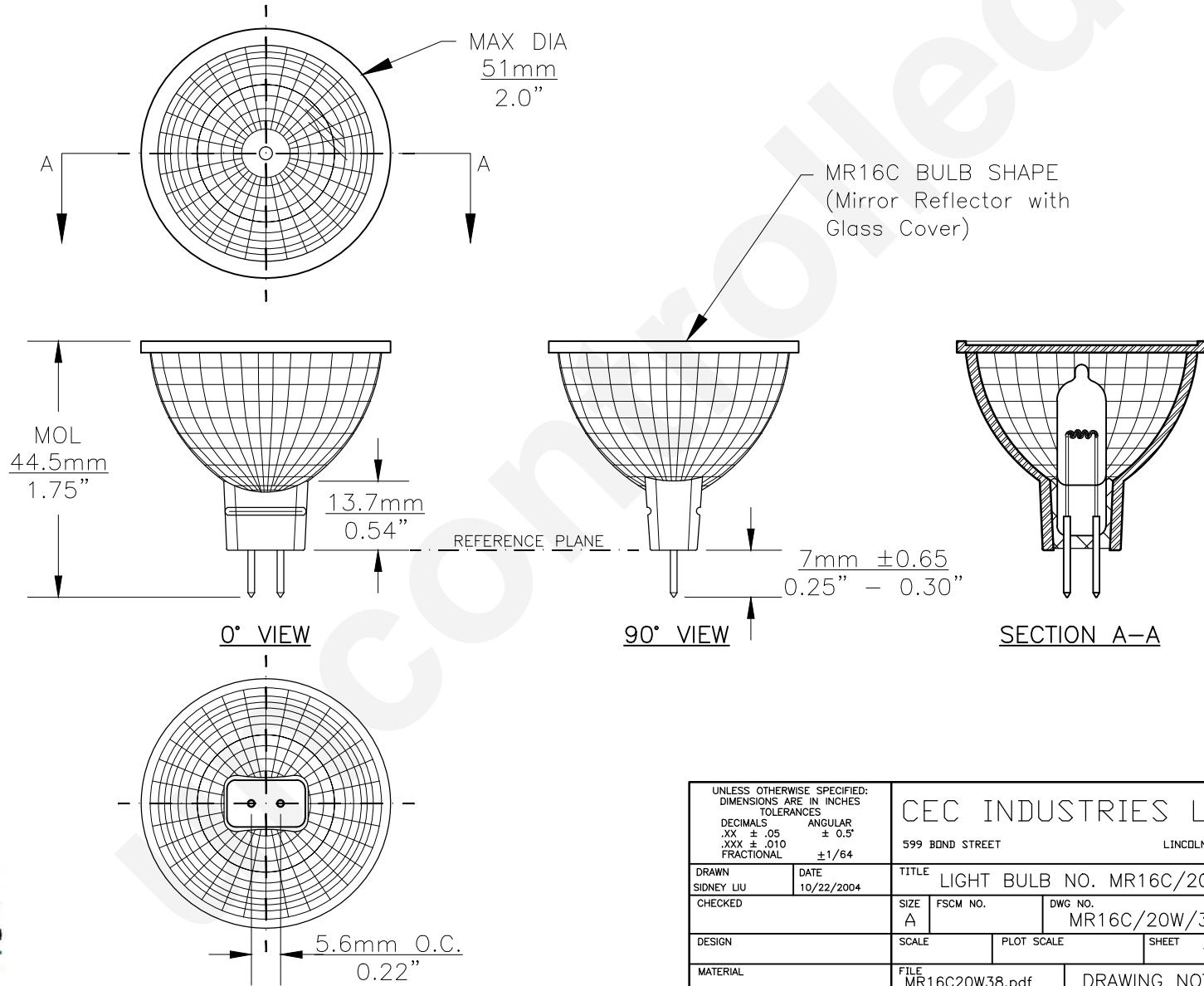




PART NO.	BASE TYPE	DESIGN VOLTS	DESIGN AMPS	FILAMENT TYPE	AVERAGE LIFE HOURS
MR16C/20W/38°	GU5.3	12V	1.67±10%	C-6	4,000

REVISIONS			
REV #	DESCRIPTION	DATE	APPROVED
1	ISSUED	10/22/2004	S.L.
2	REDRAWN FOR ADDITIONAL VIEWS	03/09/2015	R.M.



UNLESS OTHERWISE SPECIFIED:
DIMENSIONS ARE IN INCHES
TOLERANCES

DECIMALS	ANGULAR
.XX ± .05	± 0.5°
.XXX ± .010	
FRACTIONAL	± 1/64

CEC INDUSTRIES LTD

599 BOND STREET

LINCOLNSHIRE, IL 60069

DRAWN SIDNEY LIU	DATE 10/22/2004
---------------------	--------------------

TITLE LIGHT BULB NO. MR16C/20W/38°

CHECKED

SIZE A	FSCM NO.	DWG NO. MR16C/20W/38°	REV 1
-----------	----------	--------------------------	----------

DESIGN

SCALE	PLOT SCALE	SHEET 1 OF 1
-------	------------	-----------------

MATERIAL

FILE MR16C20W38.pdf	DRAWING NOT TO SCALE
------------------------	----------------------