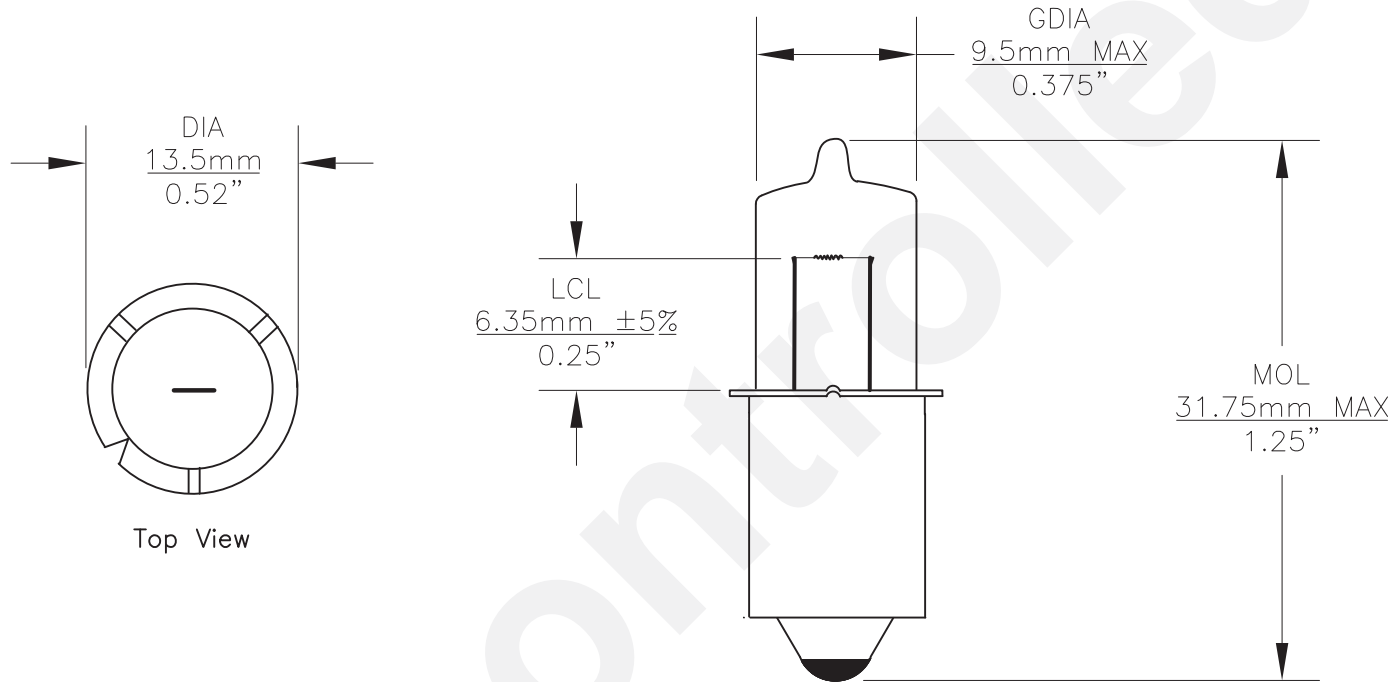


PART NO.	BASE TYPE	DESIGN VOLTS	DESIGN Amps	MSCP	Filament Type	AVG LIFE
HPR52	S.C. Miniature Flanged	2.8V	0.85	2.8±15%	C-6	10hr

REVISIONS			
REV	DESCRIPTION	DATE	APPROVED
1	Revised Volt specs.	01/17/2005	D.C.



UNLESS OTHERWISE SPECIFIED: DIMENSIONS ARE IN INCHES TOLERANCES		CEC INDUSTRIES LTD			
DECIMALS .XX ± .05 .XXX ± .010 FRACTIONAL ± 1/64		ANGULAR ± 0.5°		599 BOND STREET LINCOLNSHIRE, IL 60069	
DRAWN Anna Soloveychik	DATE 11/14/03	TITLE HPR 52			
CHECKED		SIZE A	FSCM NO.	DWG NO. HPR52 rev1	REV 1
DESIGN		SCALE	PLOT SCALE	SHEET 1 OF 1	
MATERIAL		FILE HPR52 rev1.DWG	DO NOT SCALE DRAWING		