



Since 1959

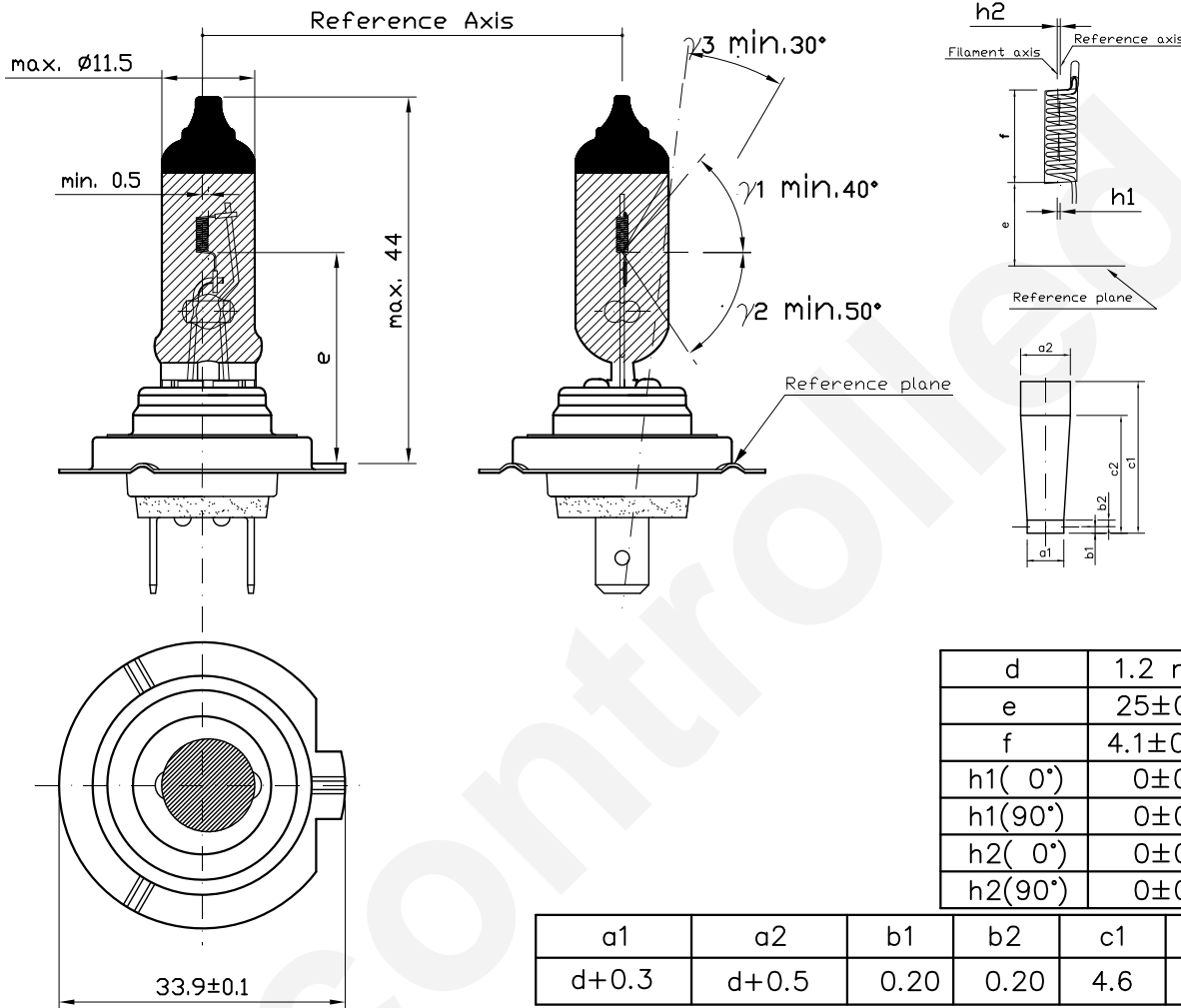
Product Information Sheet

H7 XWU 12V 55W

HIBH7 ULTRAMAX

2013. 01. 13 NEW

2011. 07. 05 OLD



d	1.2 nom
e	25±0.20
f	4.1±0.2
h1(0°)	0±0.15
h1(90°)	0±0.15
h2(0°)	0±0.25
h2(90°)	0±0.25

a1	a2	b1	b2	c1	c2
d+0.3	d+0.5	0.20	0.20	4.6	4.0

Halogen bulb

H7 12V 55W Xenon White Ultra

Cap: ¹⁾ PX26d

Type: XWU

ECE R37 (E1) 2RA

FMVSS108 DOT

Bulb: UV-cut Quartz glass

Made in Korea / INCHEON

1) according to IEC 61-1 sheet 7004-5-1

Technical data	R37	FMVSS108
Test voltage	13.2V	12.8V
Power	58W max.	55.6W max.
Luminous flux	1500lm ±10%	1350lm ±12%
Lumen maintenance	85 % min	85 % min
Color temperature	3700K±10%	3600K±10%

Rated life:	at 13.2V	at 14.0V
-characteristic Tc	300 h min	150h average
-B3	150 h min	

Maximum operating temperature:	1:bulb 800°C max	2:pinch 400°C max
--------------------------------	------------------	-------------------