



Since 1959

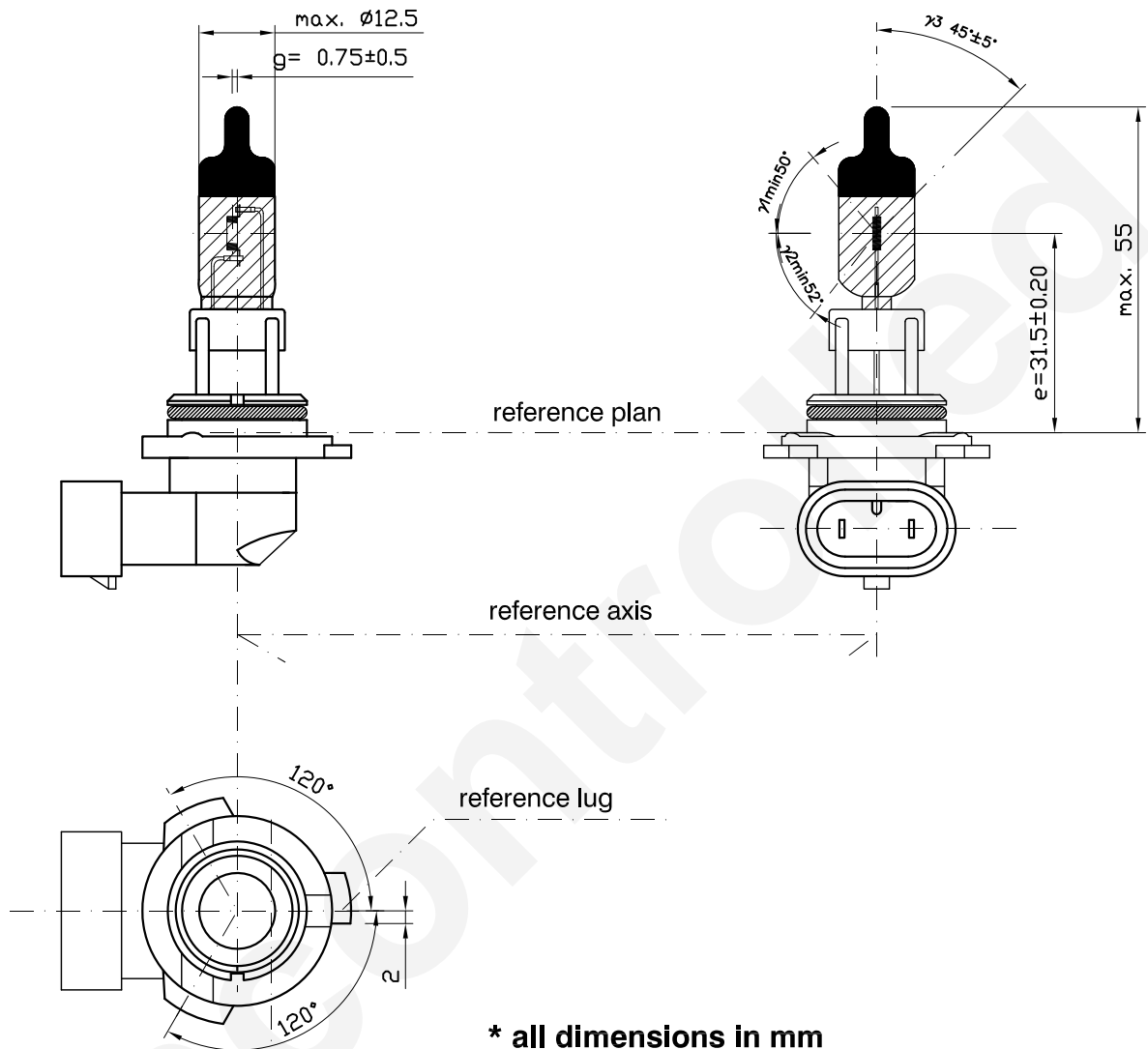
Product Information Sheet

HB4 (9006) XWU 12V 55W

HIB9006 ULTRAMAX

2009. 01. 12 NEW

OLD



* all dimensions in mm

Halogen bulb	
HB4 12V 55W Xenon White Ultra	
Cap: 1)	P22d
Type:	9006 XWU
ECE R37	(E13) 2L1
FMVSS108	DOT
Bulb mat.: Hardglass	
Made in Korea / INCHEON	

1) according to IEC 61-1 sheet 7004-32-1

Technical data	R37	FMVSS108
Test voltage	13.2V	12.8V
Power	62W max	60W max
Luminous flux	1095lm ±15%	1000lm ±15%
Lumen maintenance	90 % min	90 % min
Color temperature	3700K±10%	3600K±10%
Rated life:	at 13.2V	at 14.0V
-characteristic Tc	500 h min	-Average
-B3	200 h min	200 hr

Maximum operating temperature:	bulb 650°C max pinch 400°C max
Operating position	vertical