



Since 1959

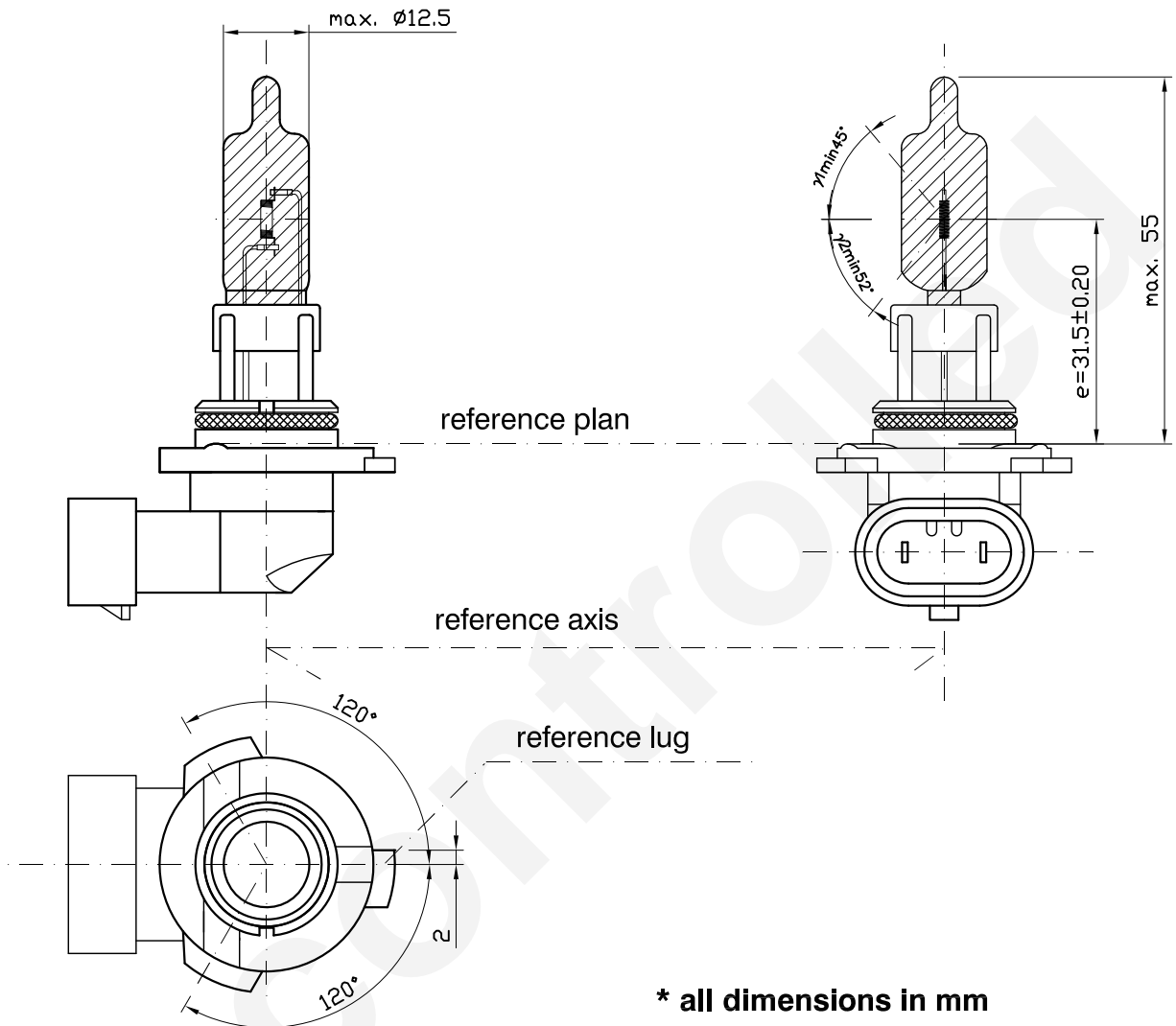
Product Information Sheet

HB3 (9005) XWU 12V 65W

HIB9005 ULTRAMAX

2010. 01. 12 NEW

OLD



* all dimensions in mm

Halogen bulb
HB3 12V 65W Xenon White Ultra
Cap: ¹⁾ P20d
Type: 9005 XWU
ECE R37 (E13) 2L0
FMVSS108 DOT
Bulb mat.: Hardglass
Made in korea / INCHEON

1) according to IEC 61-1 sheet 7004-31-1

Technical data	R37	FMVSS108
Test voltage	13.2V	12.8V
Power	73W max	70W max
Luminous flux	1860lm $\pm 12\%$	1700lm $\pm 12\%$
Lumen maintenance	90 % min	90 % min
Color temperature	3800K $\pm 10\%$	3700K $\pm 10\%$
Rated life:	at 13.2V	at 14.0V
- characteristic Tc	200 h min	- Average
- B3	100 h min	100 hr

Maximum operating temperature:	bulb 650°C max pinch 400°C max
Operating position	vertical