



Since 1959

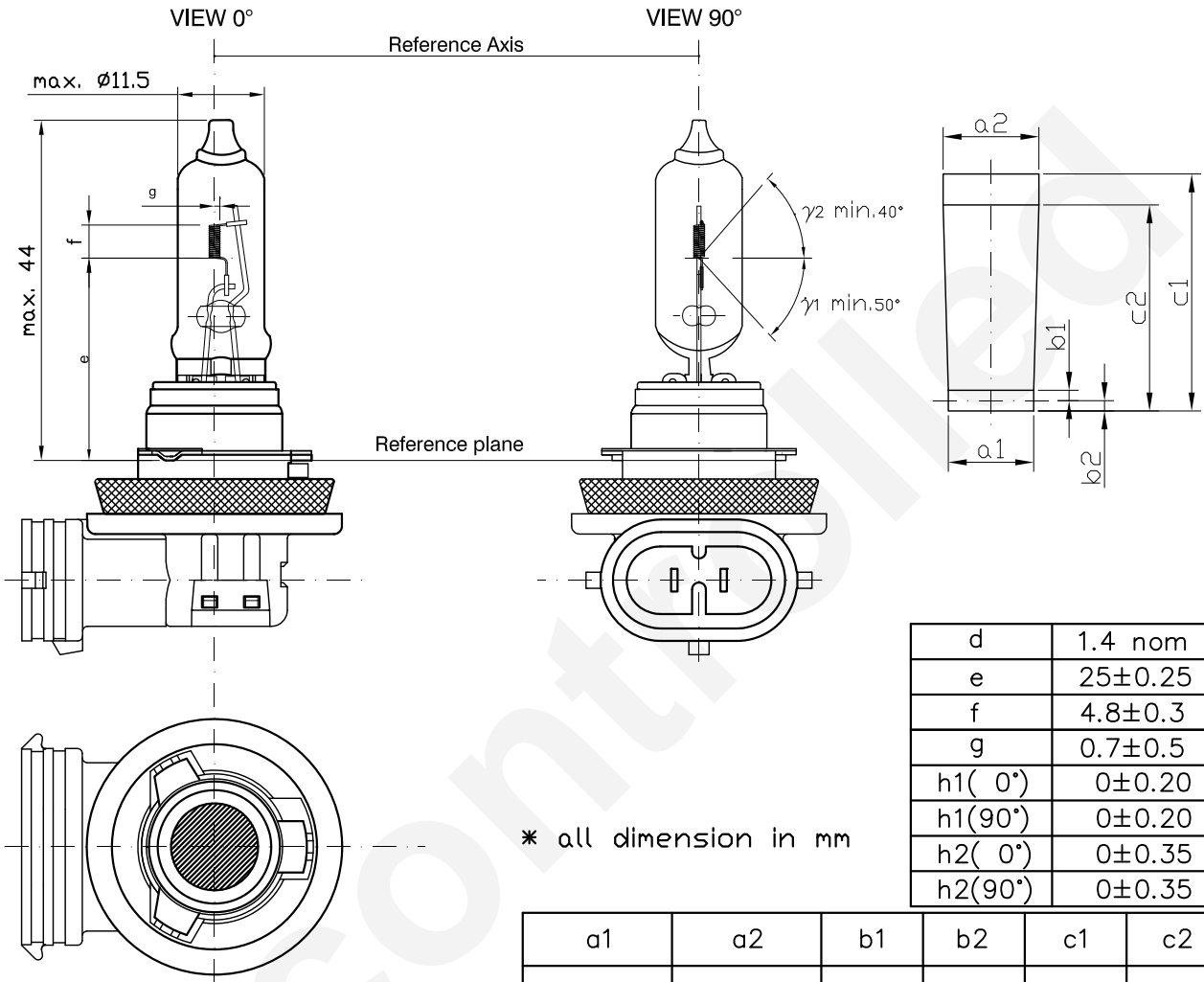
Product Information Sheet

H9 LL 12V 65W

H9 65W LL

2012. 05. 17 NEW

2010. 12. 13 OLD



Halogen bulb

H9 12V 65W Long Life

Cap: ¹⁾ PGJ19-5

Type: LL

ECE R37 (E1) 2VA

FMVSS108 DOT

Bulb: UV-cut Quartz glass

Made in korea / INCHEON

1) according to IEC 61-1 sheet 7004-110-2

Technical data	R37	FMVSS108
Test voltage	13.2V	12.8V
Power	73W max.	70W max.
Luminous flux	2100lm ±10%	2000lm ±12%
Lumen maintenance	80 % min	80 % min

Rated life:	at 13.2V	at 14.0V
-characteristic Tc	650 h min	300h average
-B3	300 h min	

Maximum operating temperature:	1:bulb 800°C max
	2:pinch 400°C max