



Since 1959

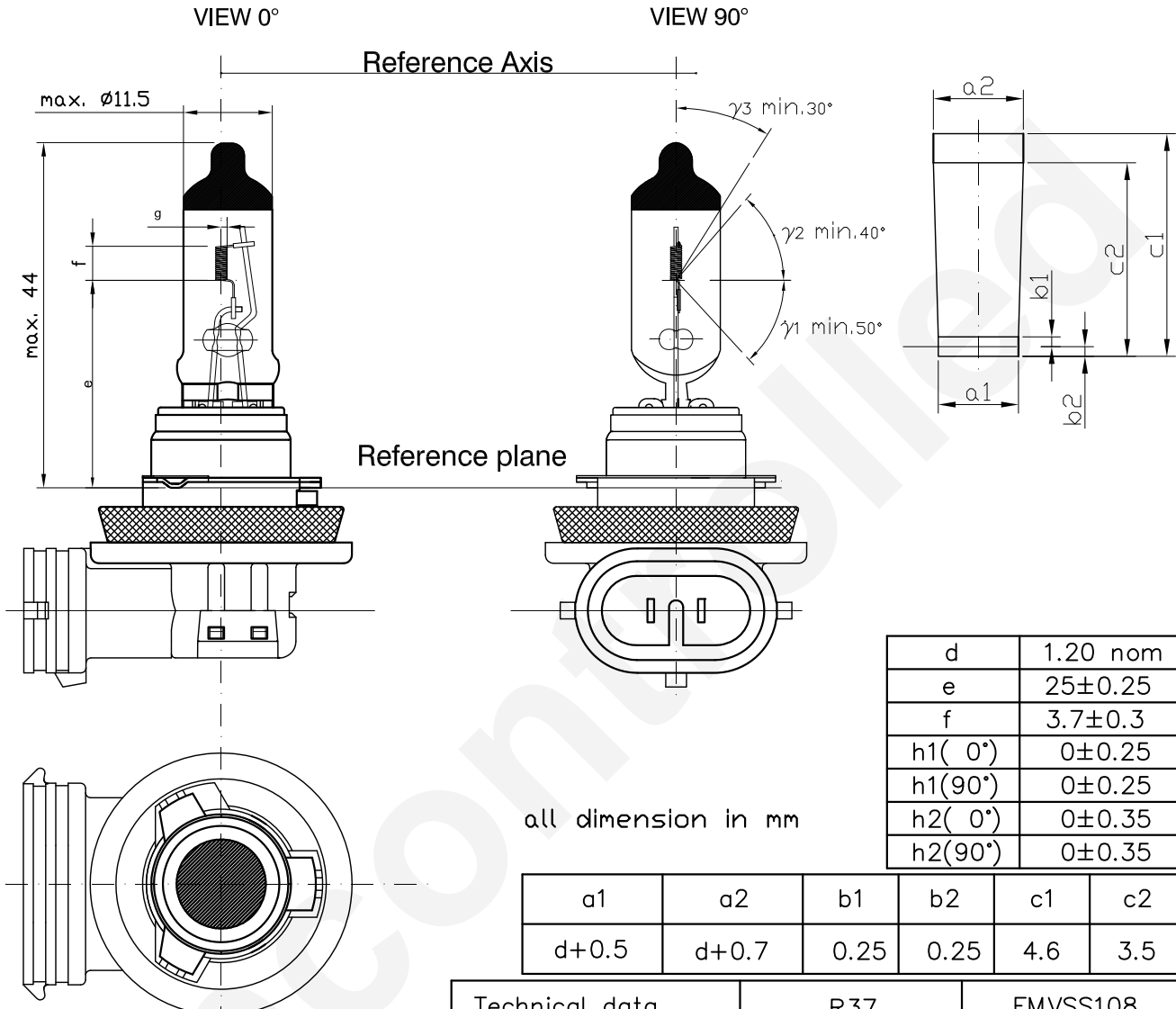
Product Information Sheet

H8 12V 35W

H8 35W

2013. 06. 11 NEW

2011. 07. 20 OLD



all dimension in mm

d	1.20 nom
e	25±0.25
f	3.7±0.3
h1(0°)	0±0.25
h1(90°)	0±0.25
h2(0°)	0±0.35
h2(90°)	0±0.35

a1	a2	b1	b2	c1	c2
d+0.5	d+0.7	0.25	0.25	4.6	3.5

Halogen bulb

H8 12V 35W

Cap: ¹⁾ PGJ19-1

Type: STD

ECE R37 (E1) 2RW

FMVSS108 DOT

Bulb: UV-cut Quartz glass

Made in korea / INCHEON

1) according to IEC 61-1 sheet 7004-110-2

Technical data	R37	FMVSS108
Test voltage	13.2V	12.8V
Power	43W max.	41W max.
Luminous flux	800lm ±15%	730lm ±15%
Lumen maintenance	85 % min	85 % min

Rated life: -characteristic Tc -B3	at 13.2V	at 14.0V
	800 h min 400 h min	400h average

Maximum operating temperature:	1:bulb 800°C max 2:pinch 400°C max
--------------------------------	---------------------------------------