



Since 1959

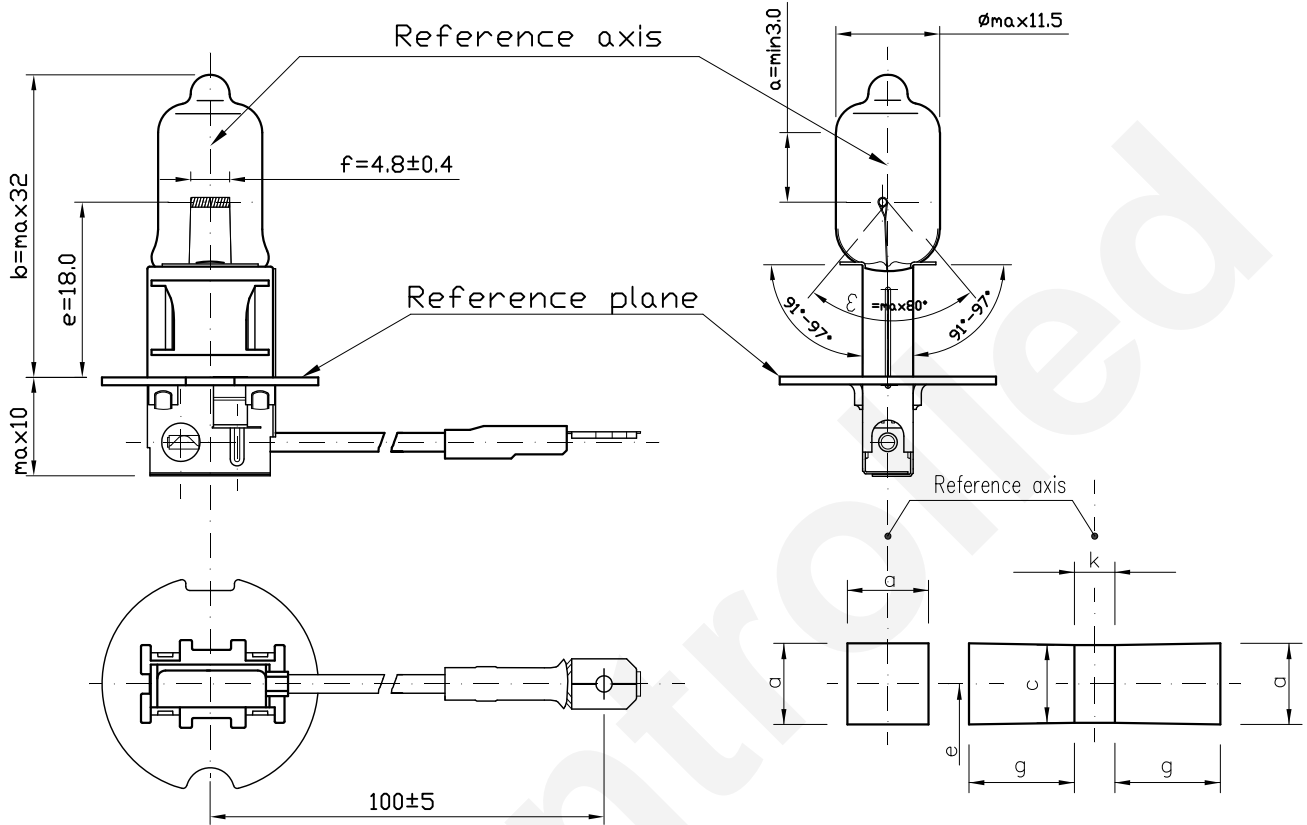
Product Information Sheet

H3 12V 55W

H3 55W

2013. 09. 26 NEW

2013. 04. 10 OLD



d	1.35 nom
e	18
f	4.8 $\pm 0.4$

a	c	k	g
1.8d	1.6d	1	2.60

Halogen bulb

H3 12V 55W

Cap: <sup>1)</sup> PK22s

Type: STD

ECE R37 (E1) 2XS

FMVSS108 DOT

Bulb: UV-cut Quartz glass

Made in china / JDH

1) according to IEC 61-1 sheet 7004-47

Technical data	R37	FMVSS108
Test voltage	13.2V	12.8V
Power	68W max.	65W max.
Luminous flux	1450lm $\pm 15\%$	1310lm $\pm 15\%$
Lumen maintenance	90 % min	90 % min
Rated life:	at 13.2V	at 14.0V
-characteristic Tc	530 h min	320h average
-B3	330 h min	

Maximum operating temperature:

1: bulb 800°C max  
2: pinch 400°C max