



Since 1959

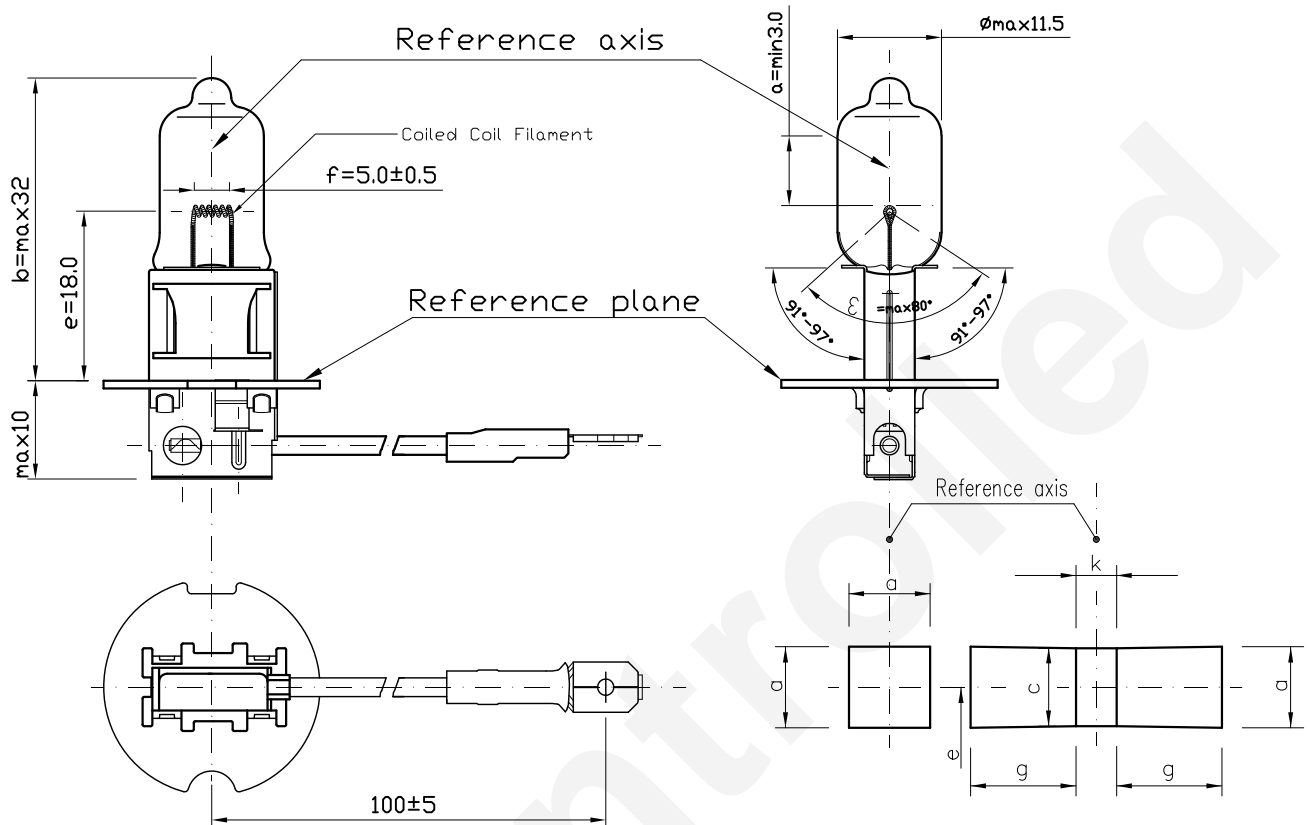
Product Information Sheet

H3 48V 55W

H3 55W/48V

2014. 03. 26 NEW

OLD



d	1.40 nom
e	18
f	4.6 ± 0.4

a	c	k	g
1.8d	1.6d	1	2.75

Halogen bulb
H3 48V 55W Rally
Cap: ¹⁾ PK22s
Type: Rally
ECE R37 None
FMVSS108 None
Bulb mat.: Quartz glass
Made in korea / INCHEON

1) according to IEC 61-1 sheet 7004-47

Technical data	
Test voltage	48.0V
Power	68W max.
Luminous flux	1600lm ±15%
Lumen maintenance	90 % min
Rated life:	at 24.0V
-characteristic Tc	400 h min
-B3	150 h min
Maximum operating temperature:	1:bulb 800°C max 2:pinch 400°C max