



Since 1959

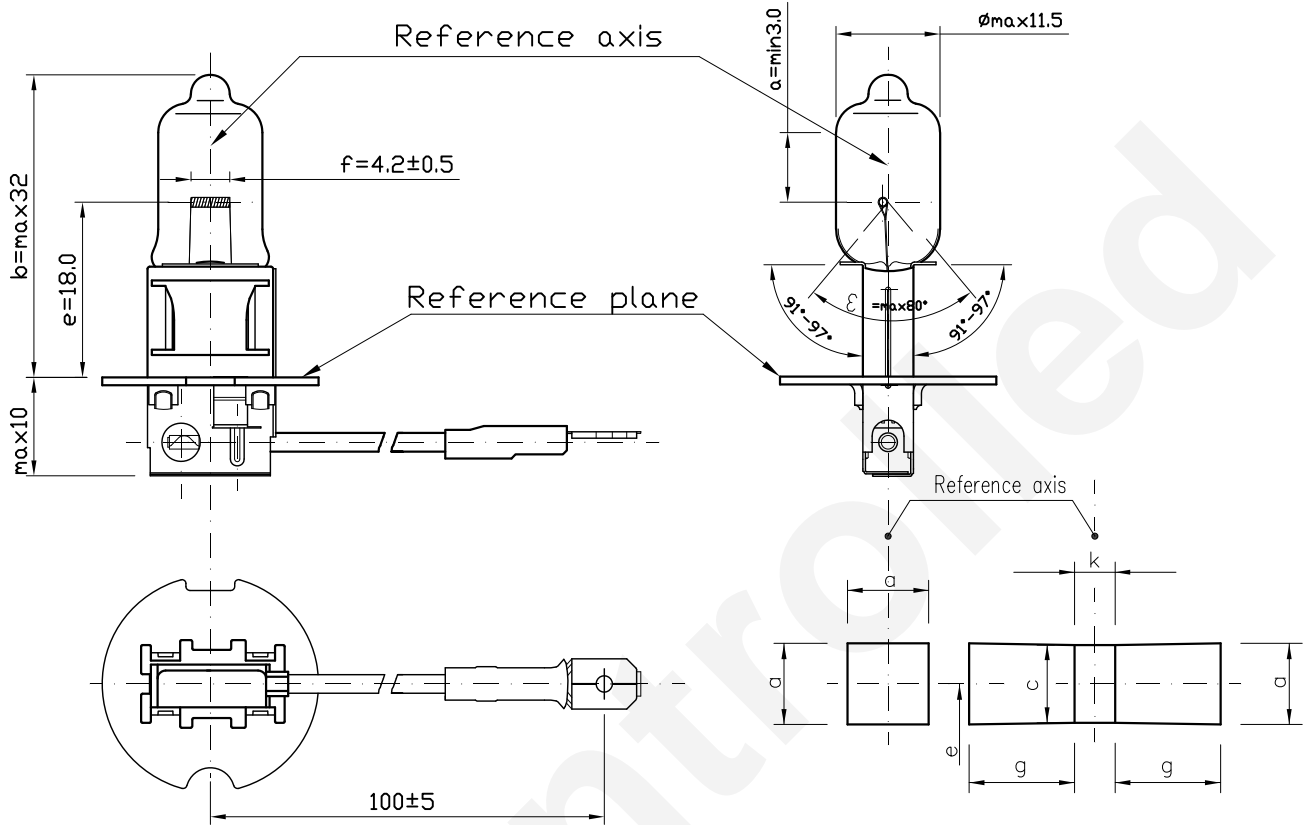
Product Information Sheet

H3 12V 35W

H3 35W

2008. 05. 09 NEW

2005. 08. 16 OLD



d	1.1 nom
e	18
f	4.2 ±0.5

a	c	k	g
1.8d	1.6d	1	2.60

Halogen bulb
 H3 12V 35W Rally
 Cap: ¹⁾ PK22s
 Type: RA
 ECE R37 none
 FMVSS108 none
 Bulb mat,: Quartz glass
 Made in korea / INCHEON

1) according to IEC 61-1 sheet 7004-47

Technical data	
Test voltage	13.2V
Power	43W max.
Luminous flux	750lm ±15%
Lumen maintenance	90 % min
Rated life:	at 13.2V
-characteristic Tc	400 h min
-B3	150 h min
Maximum operating temperature:	1: bulb 800°C max 2: pinch 400°C max