



Since 1959

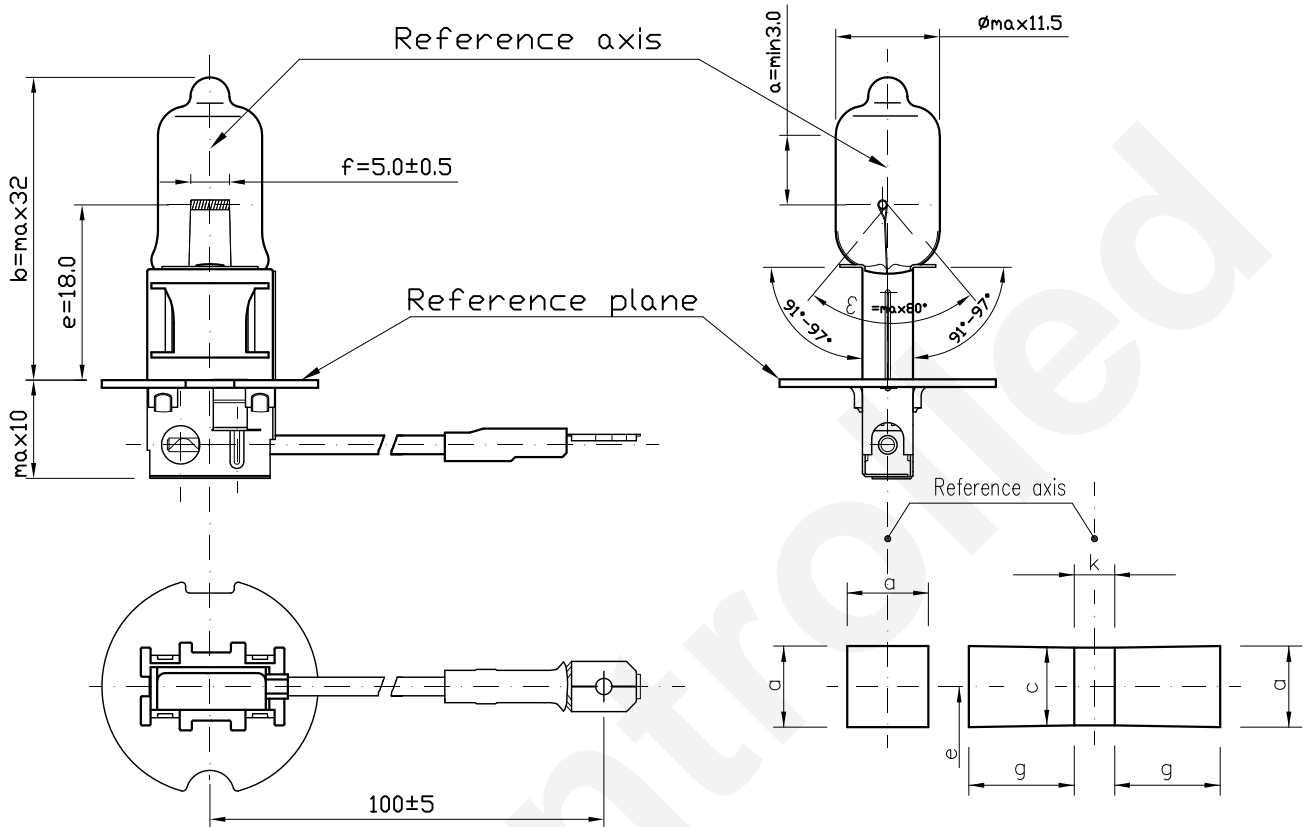
Product Information Sheet

H3 12V 130W

H3 130W

2014. 03. 05 NEW

2008. 05. 09 OLD



d	1.5 nom
e	18
f	5.0 ±0.5

a	c	k	g
1.8d	1.6d	1	2.60

Halogen bulb
 H3 12V 130W Rally
 Cap: ¹⁾ PK22s
 Type: RA
 ECE R37 none
 FMVSS108 none
 Bulb: UV-cut Quartz glass
 Made in china/ JDH

1) according to IEC 61-1 sheet 7004-47

Technical data	
Test voltage	13.2V
Power	116W max.
Luminous flux	2600lm±15%
Lumen maintenance	90 % min
Rated life:	at 13.2V
-characteristic Tc	60 h min
-B3	20 h min
Maximum operating temperature:	1:bulb 800°C max 2:pinch 400°C max