



Since 1959

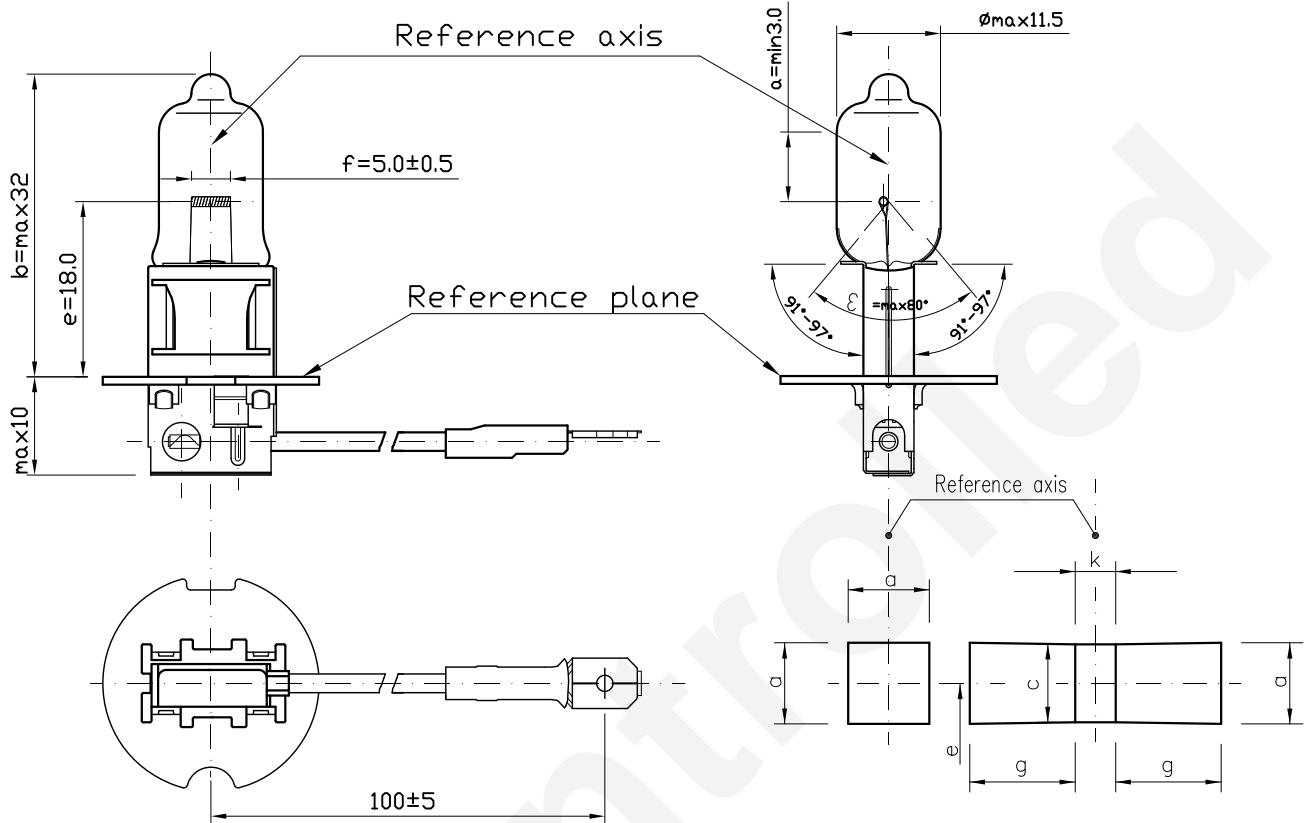
Product Information Sheet

H3 12V 100W

H3 100W

2014. 03. 05 NEW

2008. 05. 09 OLD



d	1.6 nom
e	18
f	5.0 ±0.5

a	c	k	g
1.8d	1.6d	1	2.60

Halogen bulb  
 H3 12V 100W Rally  
 Cap: <sup>1)</sup> PK22s  
 Type: RA  
 ECE R37 none  
 FMVSS108 none  
 Bulb: UV-cut Quartz glass  
 Made in china / JDH

1) according to IEC 61-1 sheet 7004-47

Technical data	
Test voltage	13.2V
Power	85W max.
Luminous flux	1850lm ±15%
Lumen maintenance	90 % min
Rated life:	at 13.2V
-characteristic Tc	200 h min
-B3	100 h min

Maximum operating temperature:	1: bulb 800°C max 2: pinch 400°C max
--------------------------------	---