



Since 1959

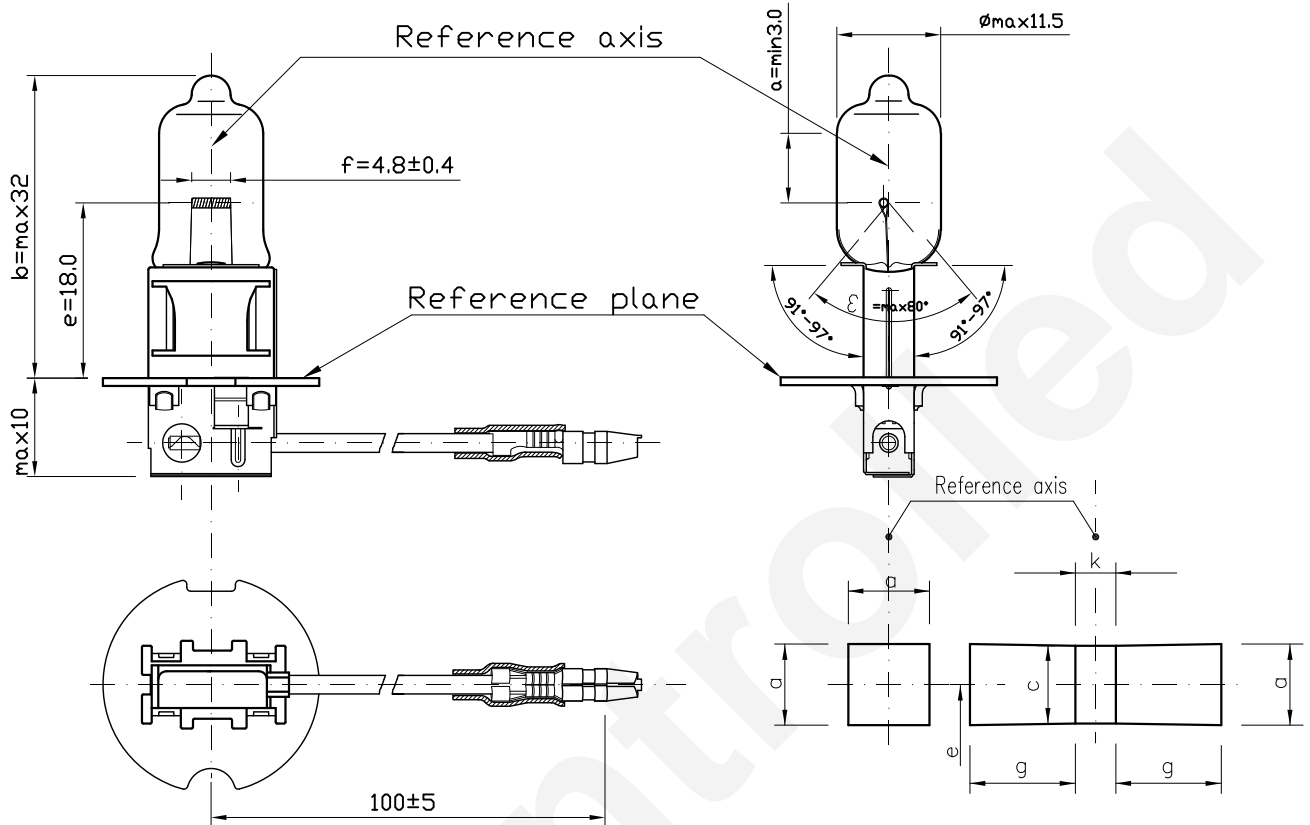
Product Information Sheet

H3 12V 100W BULLET

H3 100W-BULLET

2014. 03. 21 NEW

OLD



d	1.5 nom
e	18
f	5.0 $\pm 0.5$

a	c	k	g
1.8d	1.6d	1	2.60

Halogen bulb  
 H3 12V 100W BULLET  
 Cap: <sup>1)</sup> PK22s  
 Type: BULLET  
 ECE R37 None  
 FMVSS108 None  
 Bulb: UV-cut Quartz glass  
 Made in Korea / Incheon

1) according to IEC 61-1 sheet 7004-47

Technical data	
Test voltage	13.2V
Power	85W max.
Luminous flux	1850lm $\pm 15\%$
Lumen maintenance	90 % min
Rated life:	at 13.2V
-characteristic Tc	200 h min
-B3	100 h min

Maximum operating temperature:	1: bulb 800°C max 2: pinch 400°C max
--------------------------------	---