



Since 1959

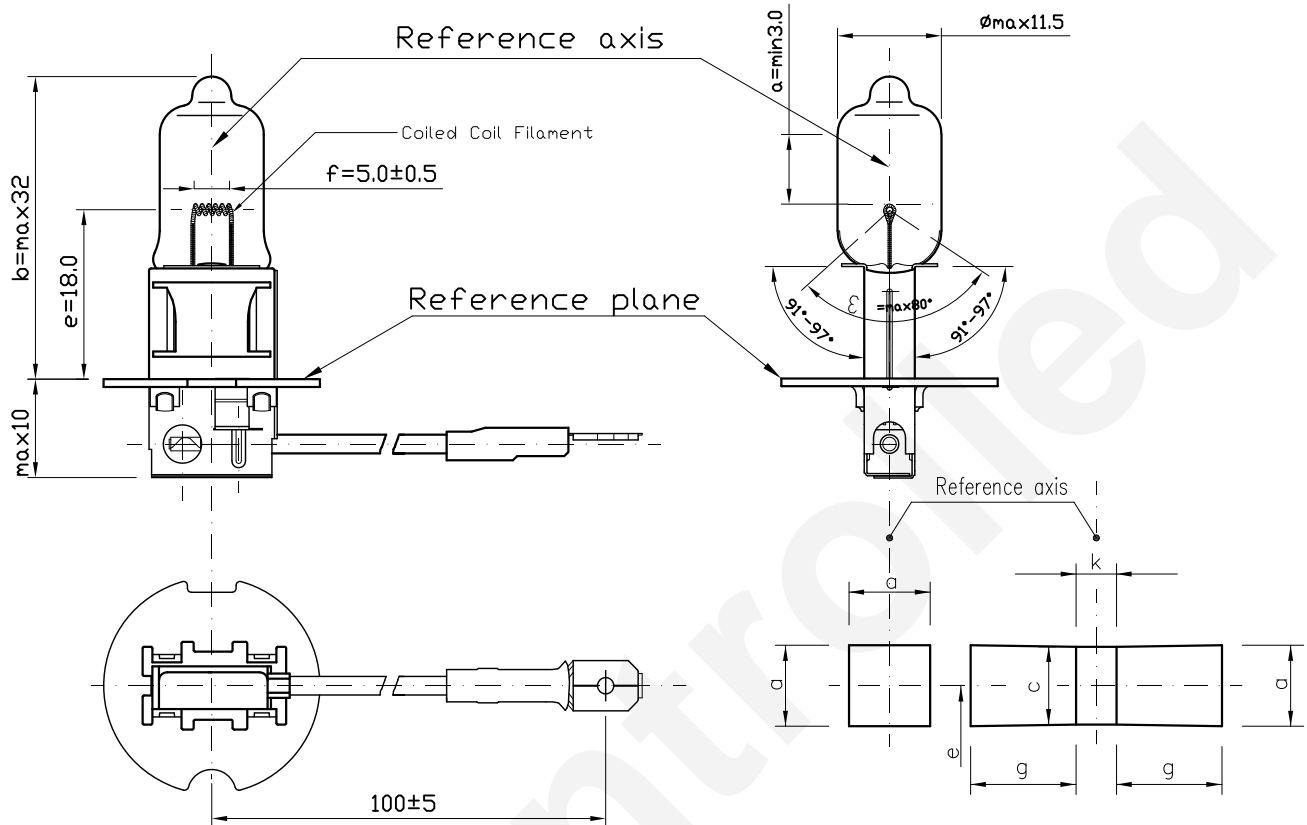
Product Information Sheet

H3 24V 100W

H3 100W/24V

2014. 03. 05 NEW

2010. 11. 12 OLD



d	2.45 nom
e	18
f	5.0 ±0.5

a	c	k	g
1.8d	1.6d	1	2.75

Halogen bulb

---

H3 RA 24V 100W

---

Cap: <sup>1)</sup> PK22s

---

Type: Rally

---

ECE R37                  None

---

FMVSS108                None

---

Bulb: UV-cut Quartz glass

---

Made in china / JDH

1) according to IEC 61-1 sheet 7004-47

Technical data	
Test voltage	28.0V
Power	108W max.
Luminous flux	2500lm±15%
Lumen maintenance	90 % min
Rated life:	at 28.0V
-characteristic Tc	200 h min
-B3	100 h min
Maximum operating temperature:	1: bulb 800°C max 2: pinch 400°C max