



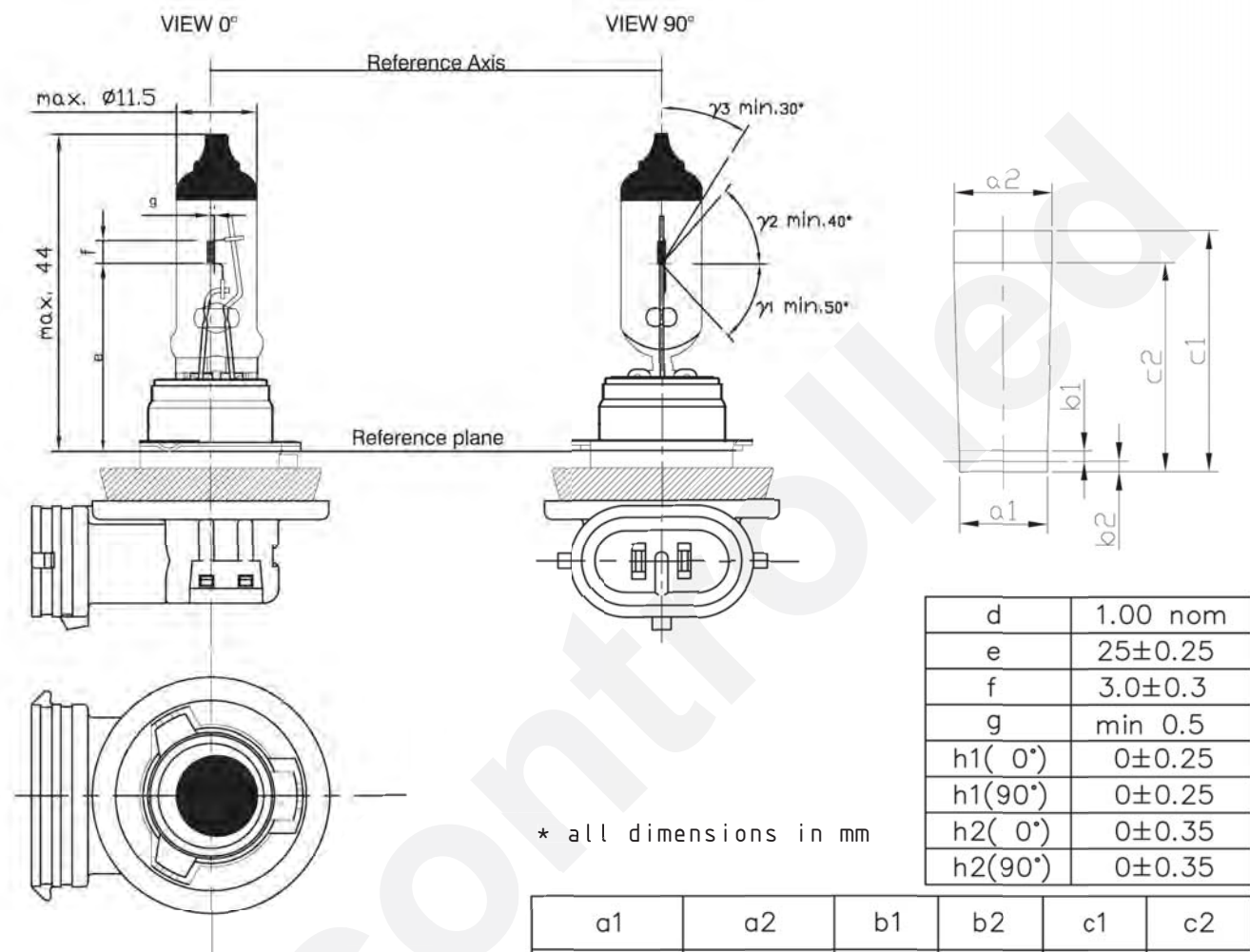
Since 1959

Product Information Sheet

T4 12V 19W PGJ19-3 HALOGEN

H16 12V 19W

(64219)



* all dimensions in mm

d	1.00 nom
e	25±0.25
f	3.0±0.3
g	min 0.5
h1(0°)	0±0.25
h1(90°)	0±0.25
h2(0°)	0±0.35
h2(90°)	0±0.35

a1	a2	b1	b2	c1	c2
d+0.5	d+0.7	0.25	0.25	3.6	2.6

Technical data	R37	
Test voltage	13.2V	
Power	26W max.	
Luminous flux	500lm +10% / -15%	
Lumen maintenance	85 % min	

Rated life: -characteristic Tc -B3	at 13.2V	at 14.0V
	1000 h min 500 h min	500h average

Maximum operating temperature:	1:bulb 800°C max 2:pinch 400°C max
--------------------------------	---------------------------------------

Halogen bulb
 H16 12V 19W
 Cap: ¹⁾ PGJ19-3
 Type: STD
 ECE R37 (E1) 2YV
 FMVSS108 None
 Bulb: UV-cut Quartz glass
 Made in korea / INCHEON

1) according to IEC 61-1 sheet 7004-110-2