

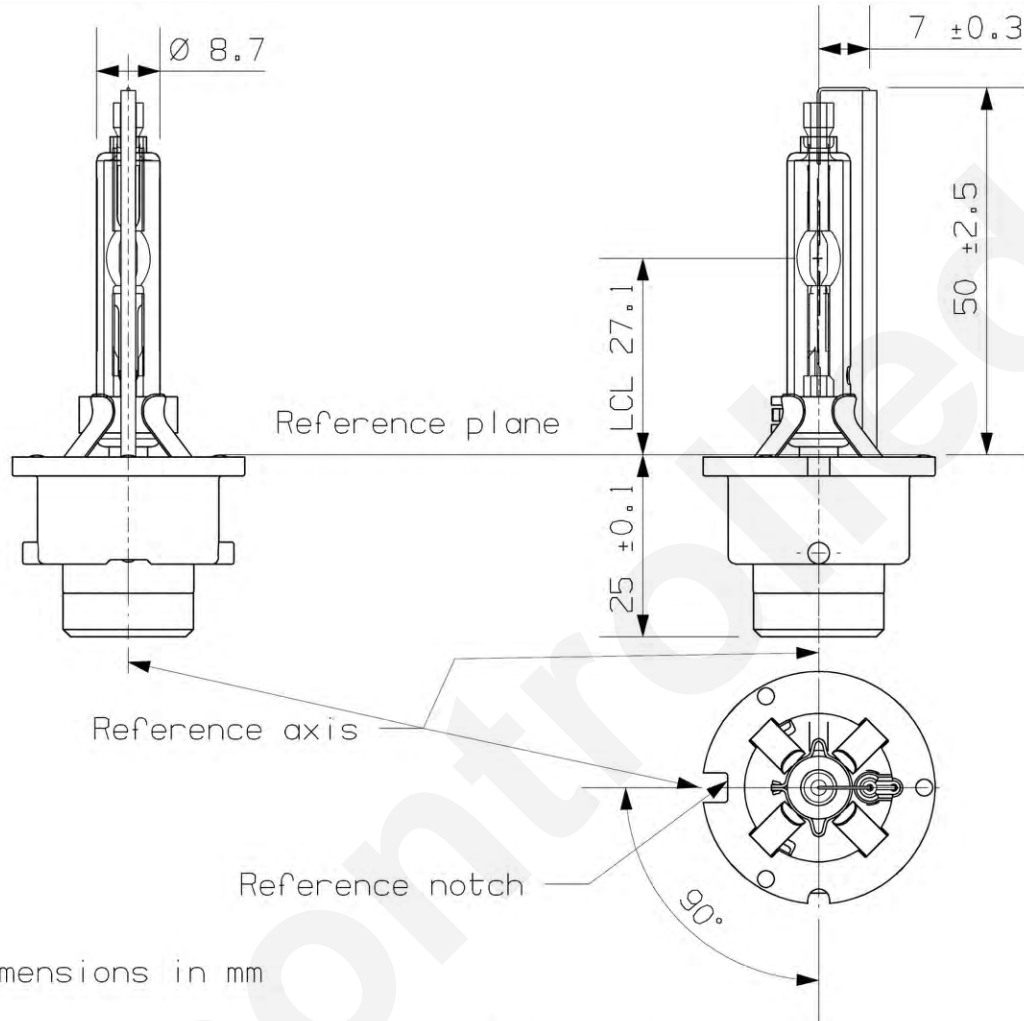


Since 1959

### Product Information Sheet

D4S 42V 35W

D4S



all dimensions in mm

Xenon Bulb
D4S 42V 35W
Cap: <sup>1)</sup> P32d-5
Type: 42402
EC R99 E4 0A5
DOT
<b>BULB NOT MADE BY CEC</b>

Made in Germany

<sup>1)</sup> according to IEC 61-1 sheet 7004-111-3 and SAE

Technical data	R99
Voltage	44,0 V
Lamp power	35 W $\pm 0,3$ W
Ignition Voltage:	23 KV max.
Luminous flux	3200 lm $\pm 450$ lm
Maintenance at 1500h	75 %
Colour Temperature:	4100 K
Colour:	0,378 x 0,384 y

Rated life at	35,0 W
- characteristic Tc	2500 h min.
- B3	1500 h min.

Maximum operating temperature:	700 °C max. bulb 400 °C max. pinch
Operating position:	horizontal