

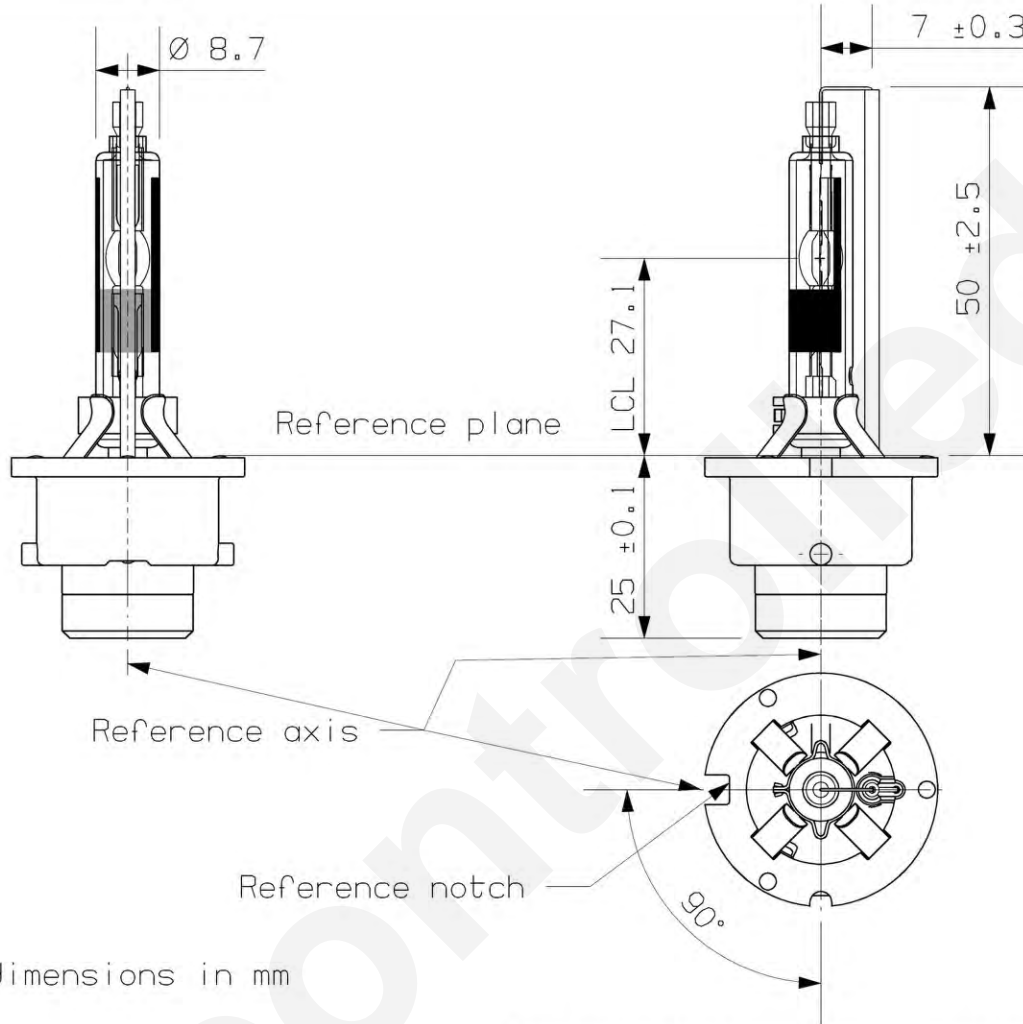


Since 1959

Product Information Sheet

D4R 42V 35W

D4R



Xenon Bulb
D4R 42V 35W
Cap: ¹⁾ P32d-6
Type: 42406
EC R99 E4 0A6
DOT
BULB NOT MADE BY CEC

Made in Germany

¹⁾ according to IEC 61-1 sheet 7004-111-3 and SAE

Technical data	R99
Voltage	44,0 V
Lamp power	35 W ± 0,3 W
Ignition Voltage:	23 KV max.
Luminous flux	2800 lm ± 450 lm
Maintenance at 1500h	70 %
Colour Temperature:	4000 K
Colour:	0,382 x 0,384 y

Rated life at	35,0 W
- characteristic Tc	2500 h min.
- B3	1500 h min.

Maximum operating temperature:	700 °C max. bulb 400 °C max. pinch
Operating position:	horizontal