

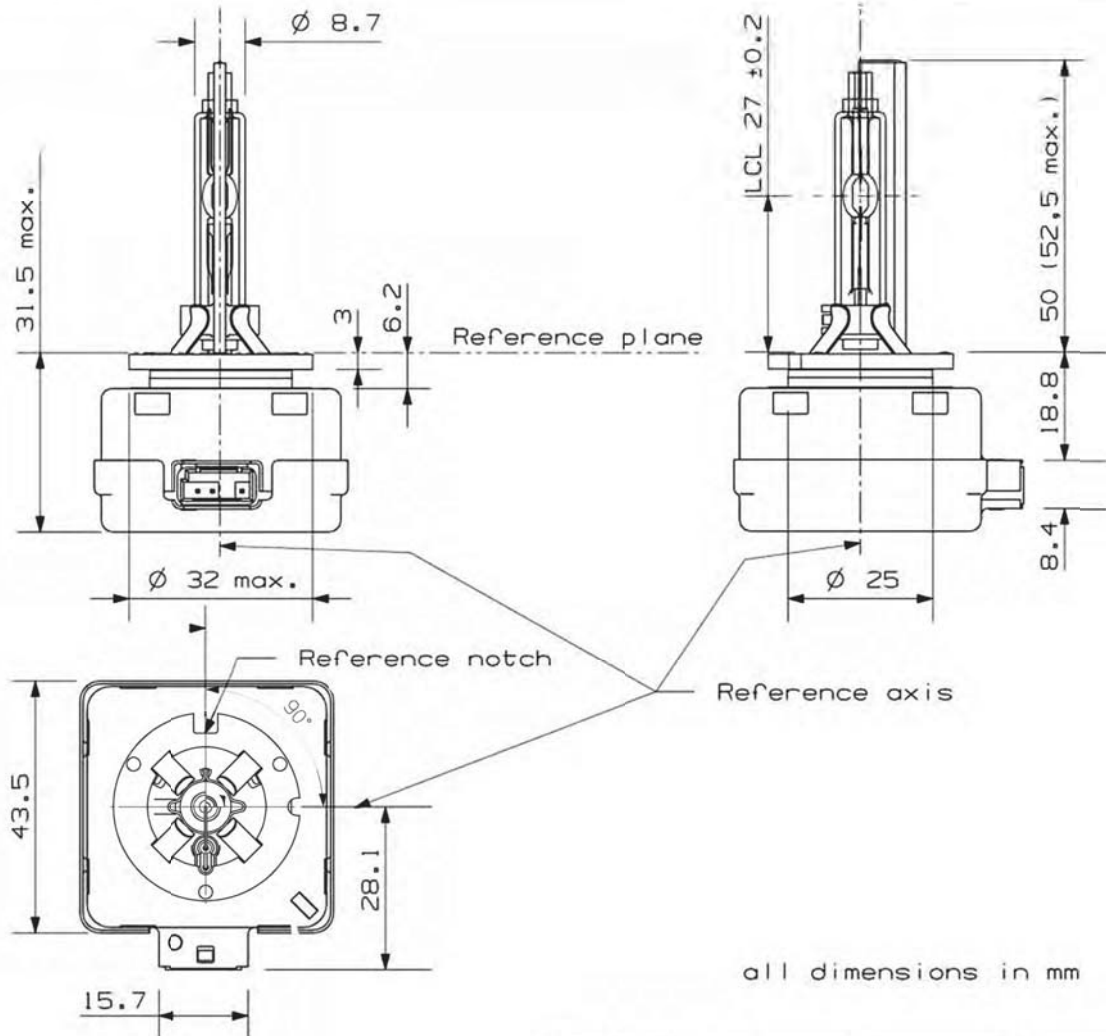


Since 1959

Product Information Sheet

D3S 42V 35W

D3S



Xenon Bulb
 D3S 42V 35W
 Cap: ¹⁾ PK32d-5
 Type:
 EC R99
 DOT
 BULB NOT MADE BY CEC
 Made in Germany

¹⁾ according to IEC 61-1 sheet 7004-111-3 and SAE

Technical data	R99
Voltage	85,0 V
Lamp power	35 W $\pm 0,3$ W
Luminous flux	3200 lm ± 300 lm
Maintenance at 1500h	75 %
Colour Temperature:	4100 K
Colour:	0,380 x 0,385 y

Rated life at	35,0 W
- characteristic Tc	3000 h min.
- B3	2000 h min.

Maximum operating temperature:	700 °C max. bul 400 °C max. pinch
Operating position:	horizontal