

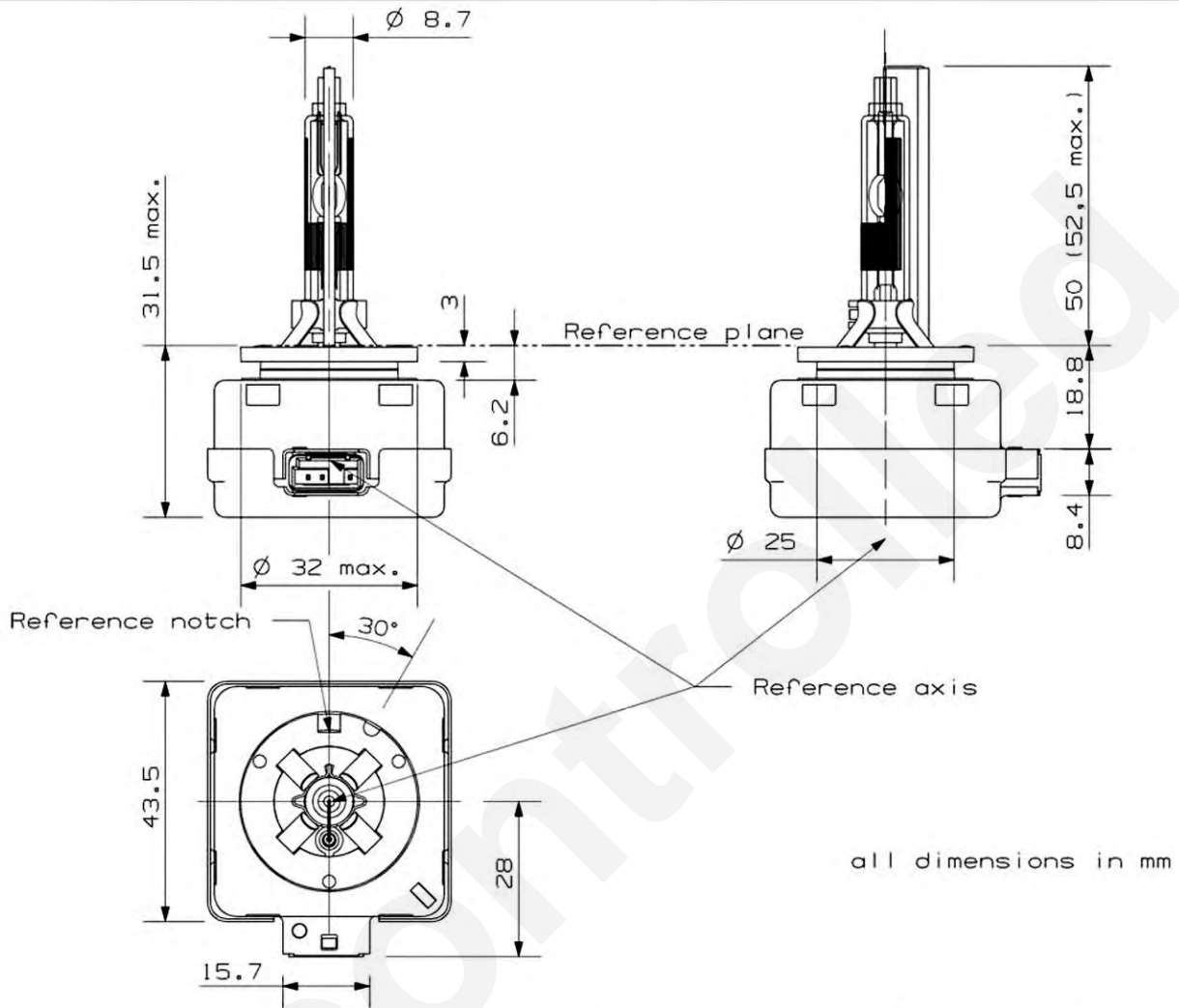


Since 1959

Product Information Sheet

D1R 85V 35W

D1R



all dimensions in mm

Xenon Bulb
D1R 85V 35W
Cap: ¹⁾ PK32d-3
Type: 85409
EC R99 E1 05R
DOT
BULB NOT MADE BY CEC

Made in Germany

¹⁾ according to IEC 61-1 sheet 7004-111-3 and SAE

Technical data	R99
Voltage	85,0 V
Power	35 W \pm 0,3 W
Luminous flux	2950 lm \pm 300 lm
Maintenance at 1500h	75 %
Colour Temperature:	4000 K
Colour:	0,385 x 0,385 y

Rated life at	35,0 W
- characteristic Tc	3000 h min.
- B3	2000 h min.

Maximum operating temperature:	700 °C max. bul 400 °C max. pinch
Operating position:	horizontal