



Since 1959

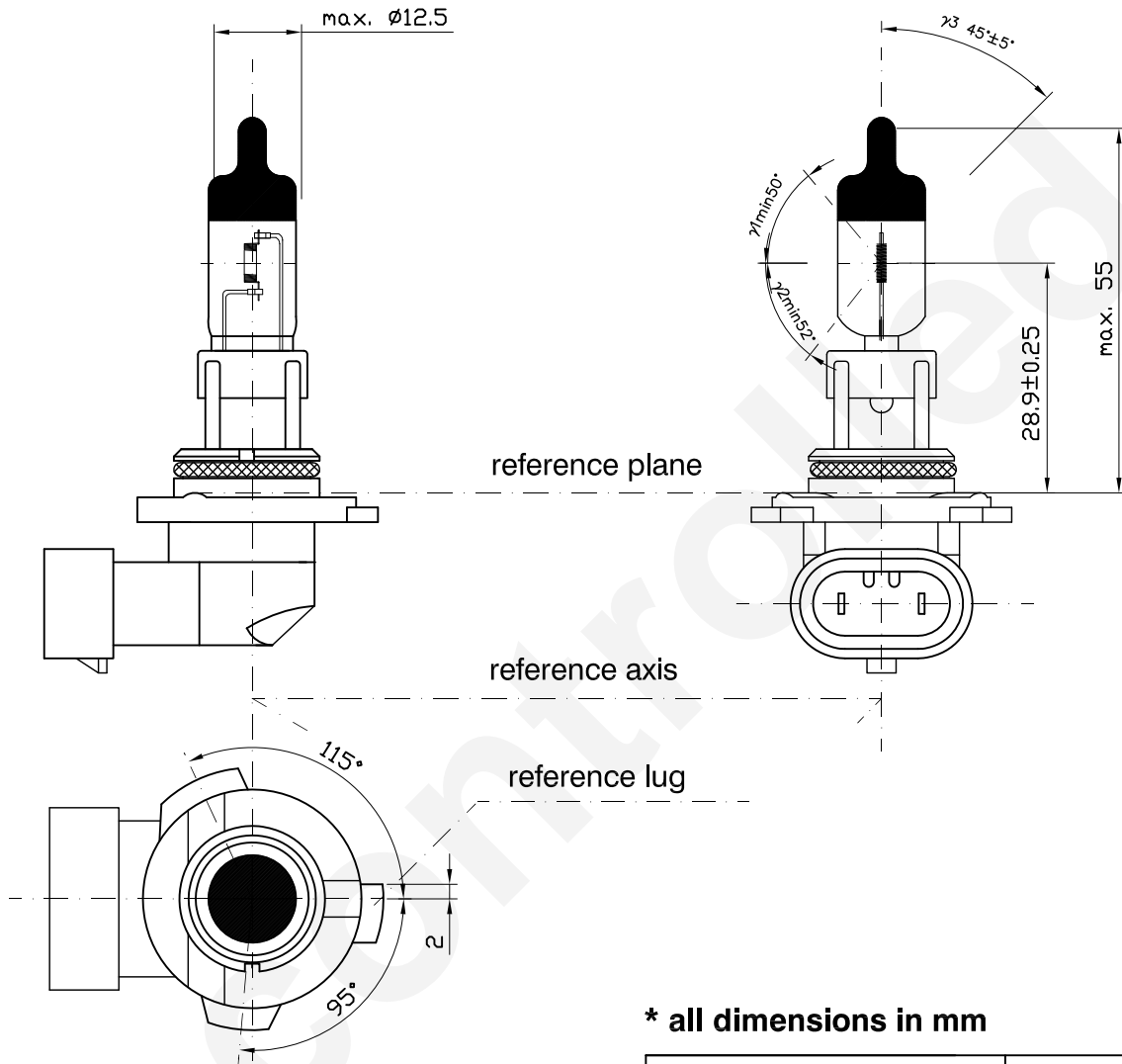
Product Information Sheet

9145 12V 45W

9145

2009. 05. 12 NEW

2008. 11. 26 OLD



\* all dimensions in mm

Halogen bulb	
9145 12V 45W	
Cap: 1)	PY20d
Type:	9145
ECE R37	
FMVSS108	none
Bulb mat.: Hardglass	
Made in korea / INCHEON	

1) according to IEC 61-1 sheet 7004-31-2

Technical data	
Test voltage	12.8V
Power	48W max
Luminous flux	800lm $\pm 15\%$
Lumen maintenance	90 % min
Rated life:	at 14.0V -Average 800 hr

Maximum operating temperature:	bulb 650°C max pinch 400°C max
Operating position	vertical