



Since 1959

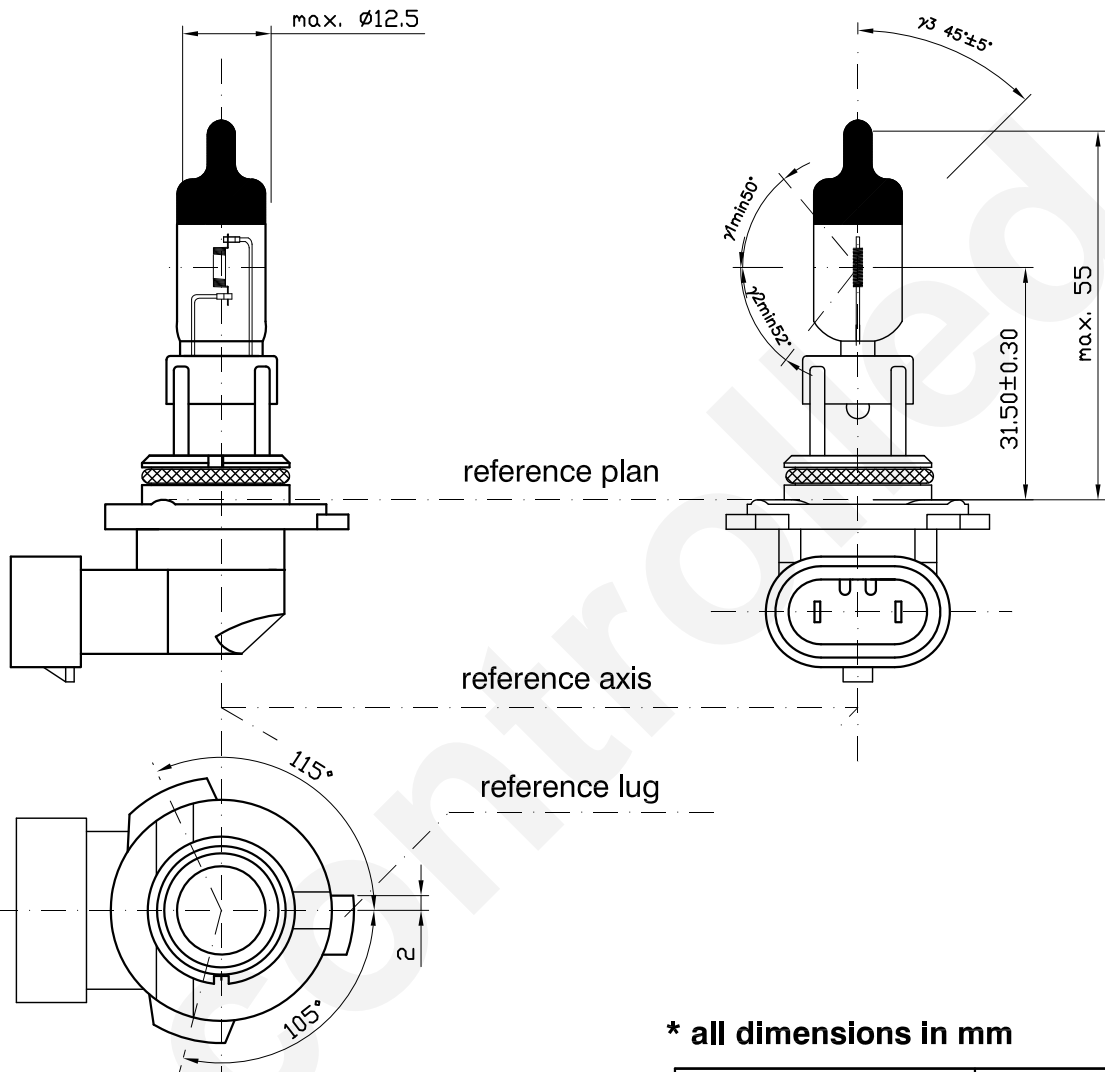
Product Information Sheet

9140 12V 40W

9140

2009. 05. 12 NEW

2008. 11. 26 OLD



*** all dimensions in mm**

Halogen bulb
9140 12V 40W
Cap: ¹⁾ P20d/40A
Type: 9140
ECE R37 none
FMVSS108 none
Bulb mat.: Hardglass
Made in korea / INCHEON

1) according to IEC 61-1 sheet 7004-31-2

Technical data	
Test voltage	12.8V
Power	43W max
Luminous flux	700lm \pm 15%
Lumen maintenance	90 % min
Rated life:	at 14.0V - Average 1200 hr

Maximum operating temperature:	bulb 650°C max pinch 400°C max
Operating position	vertical