



Since 1959

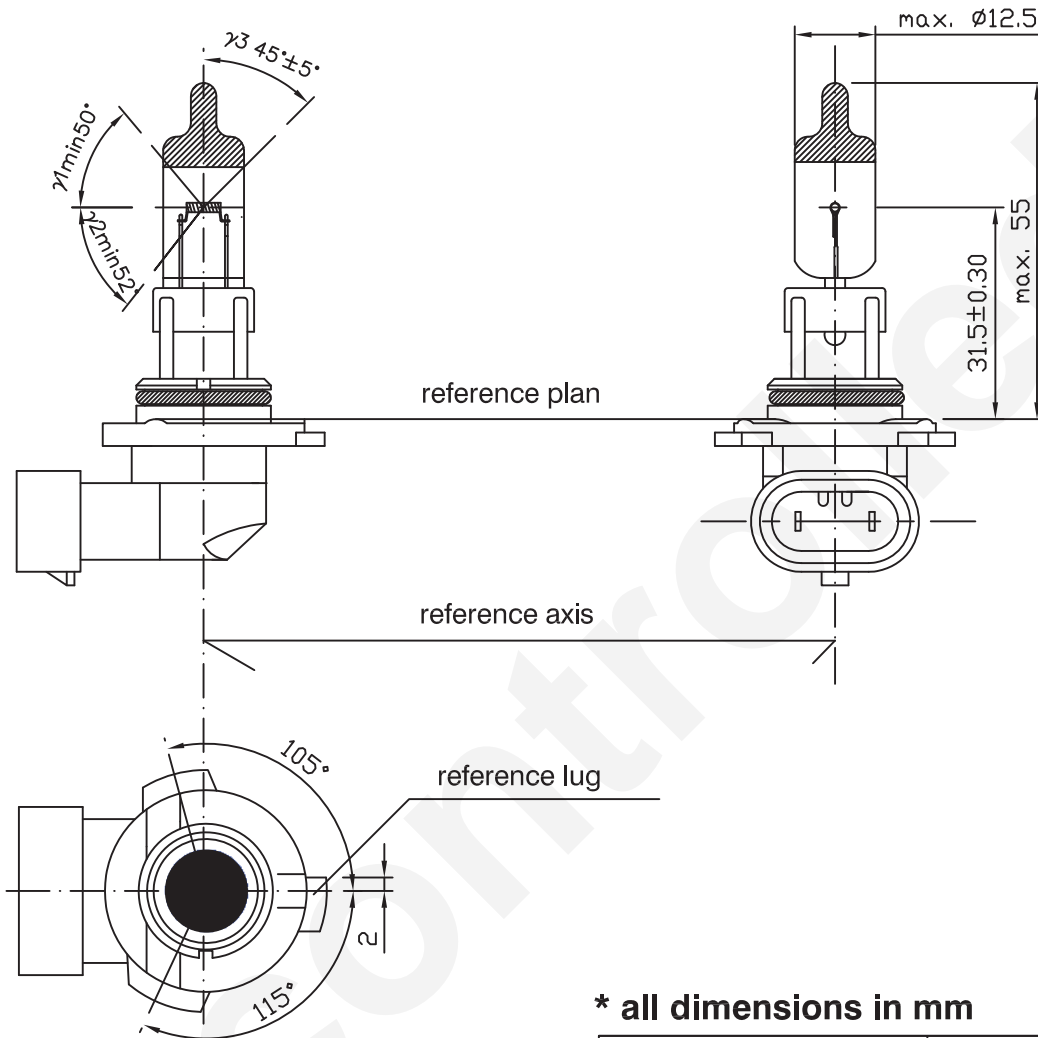
Product Information Sheet

9040 12V 40W

9040

2015. 03. 18 NEW

2011. 08 05 OLD



* all dimensions in mm

Halogen bulb
9040 12V 40W
Cap: ¹⁾ P20d/40T
Type: 9040
ECE R37 none
FMVSS108 none
Bulb mat.: Hardglass
Made in korea / INCHEON

Technical data	
Test voltage	12.8V
Power	43W max
Luminous flux	600lm $\pm 15\%$
Lumen maintenance after 200hr	90 % min
Rated life:	at 14.0V
-B50	500hr
-B3	200 hr

1) according to IEC 61-1 sheet 7004-31

Maximum operating temperature:	bulb 650°C max pinch 400°C max
Operating position	horizontal