



Since 1959

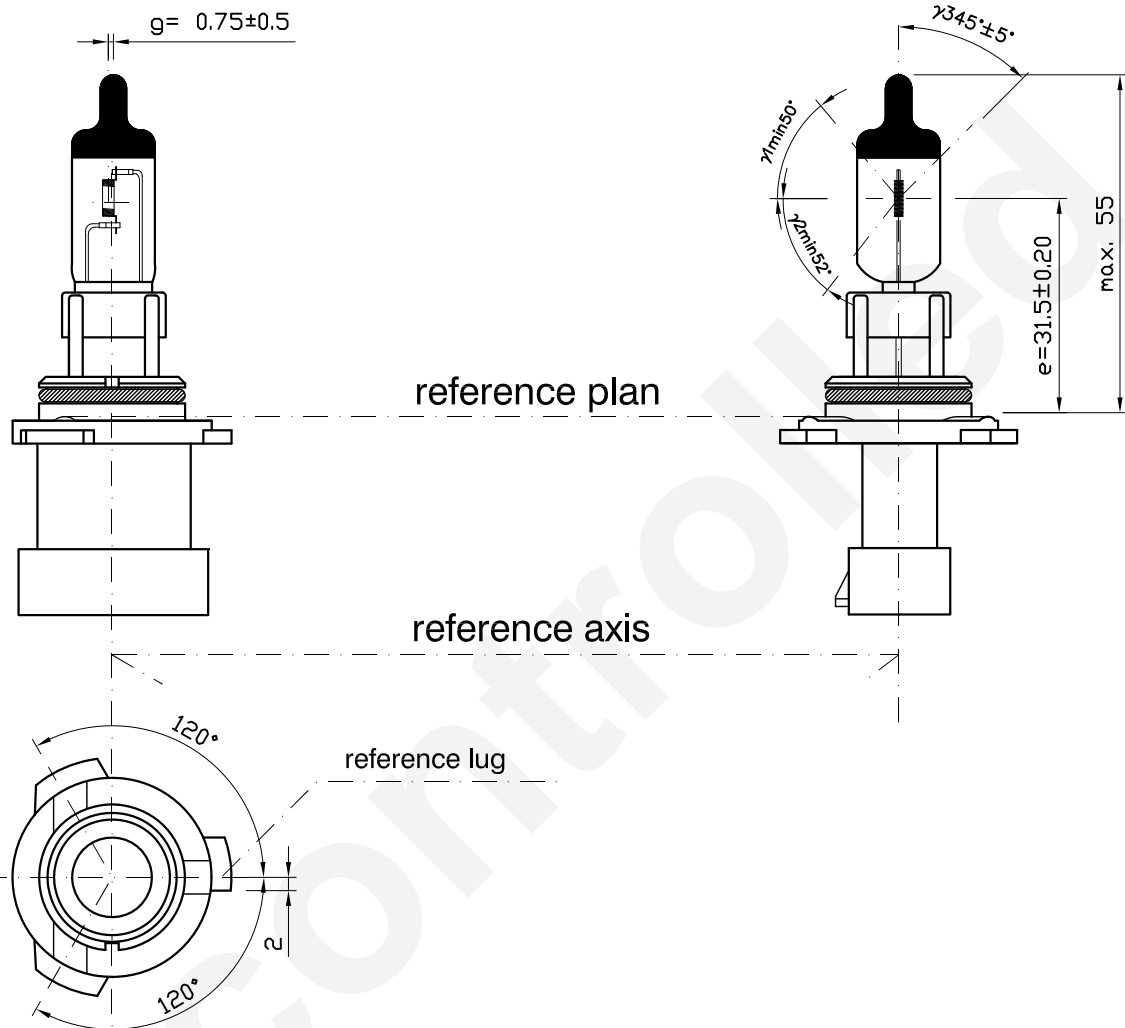
Product Information Sheet

HB4A (9006XS) LL 12V 55W

9006XSLL

2009. 05. 25 NEW

2008. 07. 18 OLD



* all dimensions in mm

Halogen bulb	
HB4A 12V 55W Long Life	
Cap: ¹⁾	P22d
Type:	9006XS LL
ECE R37	(E13) 2L1
FMVSS108	DOT
Bulb mat.: Hardglass	
Made in Korea / INCHEON	

1) according to IEC 61-1 sheet 7004-32-1

Technical data	R37	FMVSS108
Test voltage	13.2V	12.8V
Power	62W max	60W max
Luminous flux	1095lm $\pm 15\%$	1000lm $\pm 15\%$
Lumen maintenance	90 % min	90 % min
Rated life:	at 14.0V - Average 1500 hr	

Maximum operating temperature:	bulb 650°C max pinch 400°C max
Operating position	vertical