



Since 1959

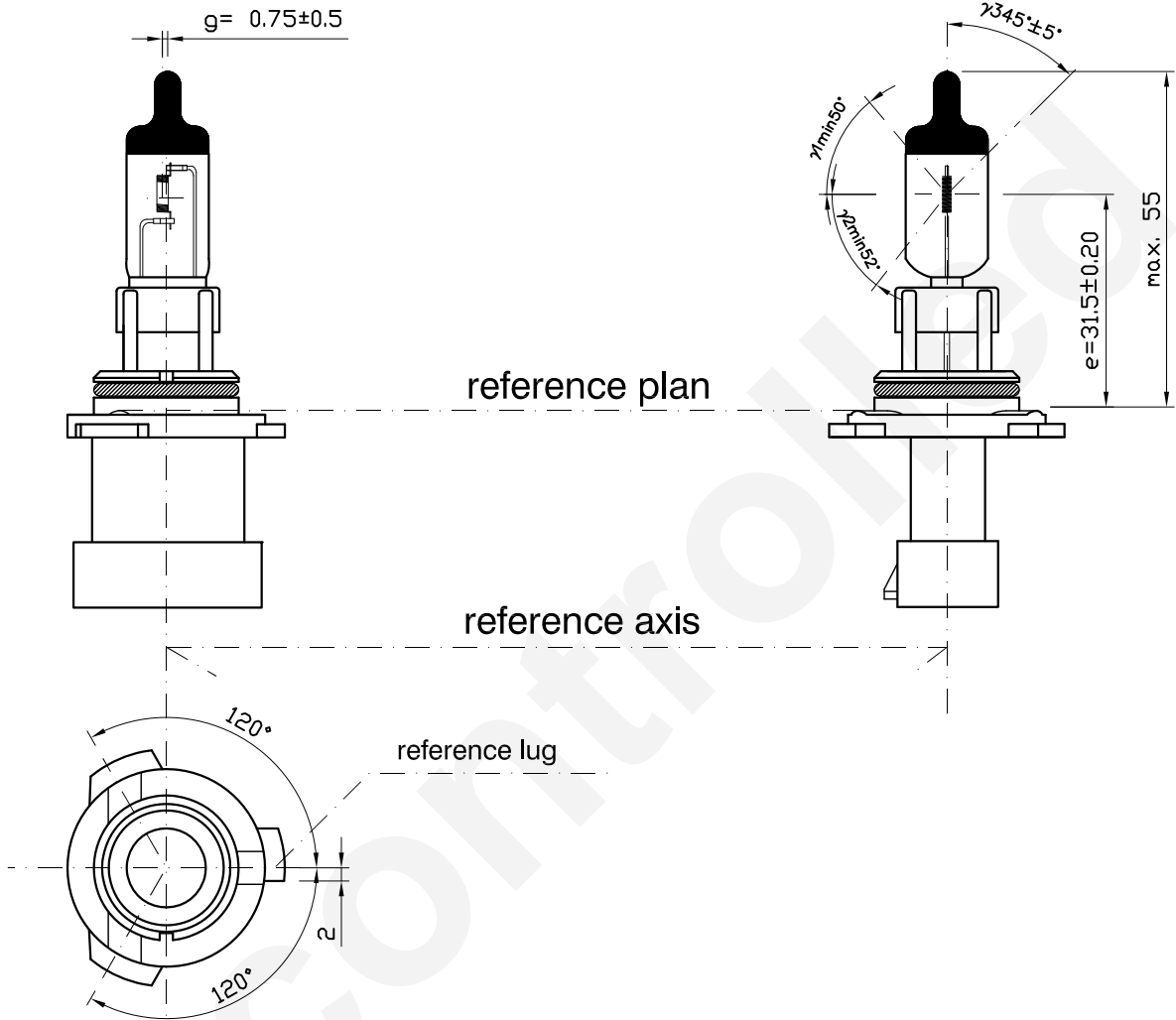
Product Information Sheet

HB4A (9006XS) 12V 55W

9006XS

2014. 03. 08 NEW

2009. 05. 12 OLD



\* all dimensions in mm

Halogen bulb	
HB4A 12V 55W	
Cap: 1)	P22d
Type:	9006XS
ECE R37	(E13) 2L1
FMVSS108	DOT
Bulb mat.: Hardglass	
Made in Korea / INCHEON	

1) according to IEC 61-1 sheet 7004-32-1

Technical data	R37	FMVSS108
Test voltage	13.2V	12.8V
Power	62W max	60W max
Luminous flux	1095lm ±15%	1000lm ±15%
Lumen maintenance	90 % min	90 % min
Rated life:	at 13.2V	at 14.0V
-characteristic Tc	2000 h min	-Average
-B3	1000 h min	1000 hr

Maximum operating temperature:	bulb 650°C max pinch 400°C max
Operating position	vertical