



Since 1959

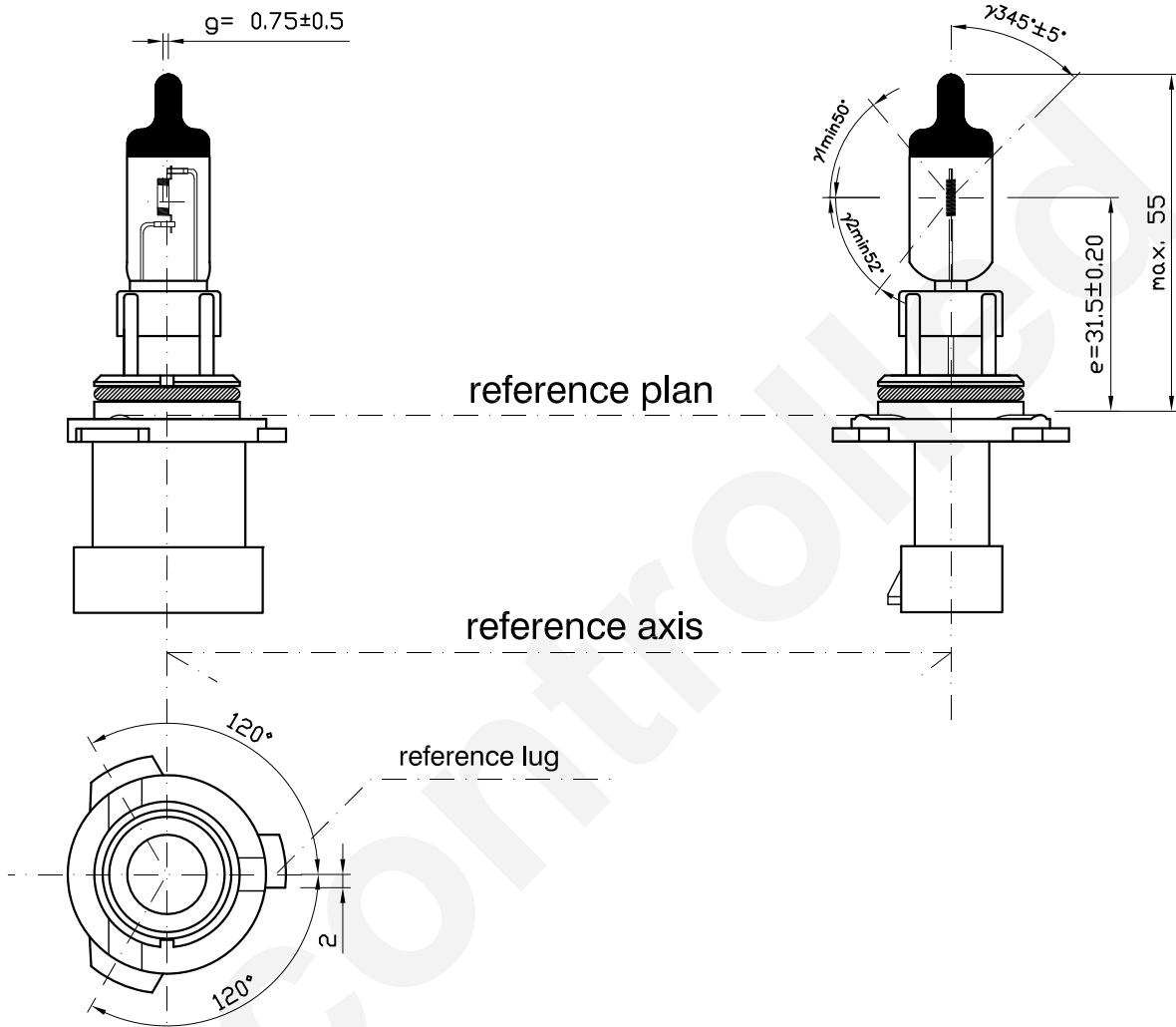
Product Information Sheet

9006XS 12V 80W

9006XS/80W

2014. 03. 20 NEW

OLD



\* all dimensions in mm

Halogen bulb	
9006XS	RA 12V 80W
Cap: <sup>1)</sup>	P22d
Type:	9006XS Rally
ECE R37	None
FMVSS108	None
Bulb mat.: Hardglass	
Made in korea / INCHEON	

1) according to IEC 61-1 sheet 7004-32-1

Technical data		
Test voltage	13.2V	12.8V
Power	85W max	80W max
Luminous flux	1650lm $\pm 15\%$	1500lm $\pm 15\%$
Lumen maintenance	90 % min	90 % min
Rated life:	at 14.0V	
-characteristic Tc	-Average	
-B3	200 hr	

Maximum operating temperature:	bulb 650°C max
Operating position	pinch 400°C max
	vertical