



Since 1959

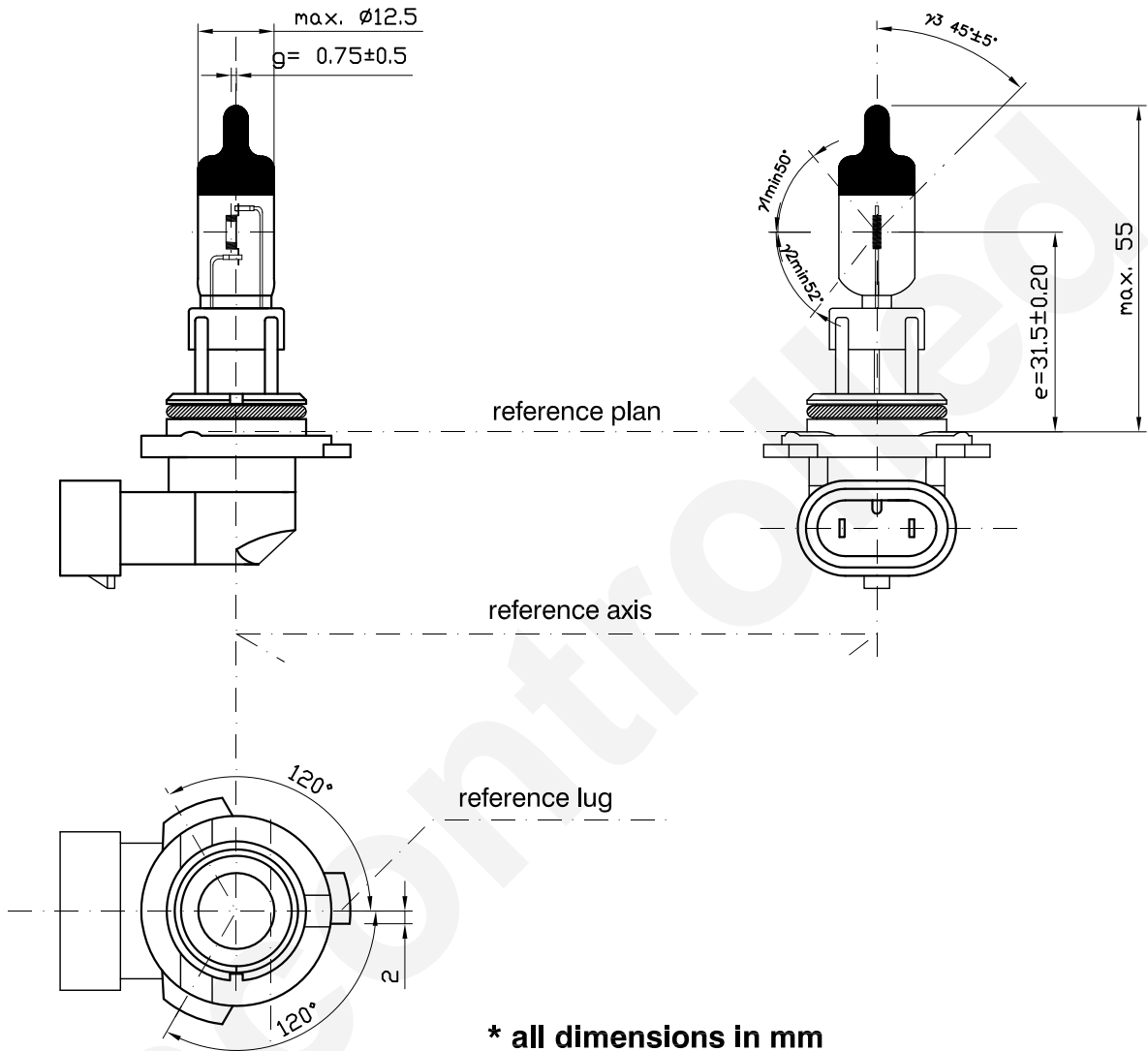
Product Information Sheet

HB4 (9006) 12V 55W

9006

2014. 03. 08 NEW

2013. 03. 05 OLD



* all dimensions in mm

Halogen bulb	
HB4 12V 55W	
Cap: ¹⁾	P22d
Type:	9006
ECE R37	(E1) 2A18
FMVSS108	DOT
Bulb mat.: Hardglass	
Made in china / JDH	

1) according to IEC 61-1 sheet 7004-32-1

Technical data	R37	FMVSS108
Test voltage	13.2V	12.8V
Power	62W max	60W max
Luminous flux	1095lm $\pm 15\%$	1000lm $\pm 15\%$
Lumen maintenance	90 % min	90 % min
Rated life:	at 13.2V	at 14.0V
-characteristic Tc	2000 h min	-Average
-B3	1000 h min	1000 hr

Maximum operating temperature:	bulb 650°C max pinch 400°C max
Operating position	vertical