



Since 1959

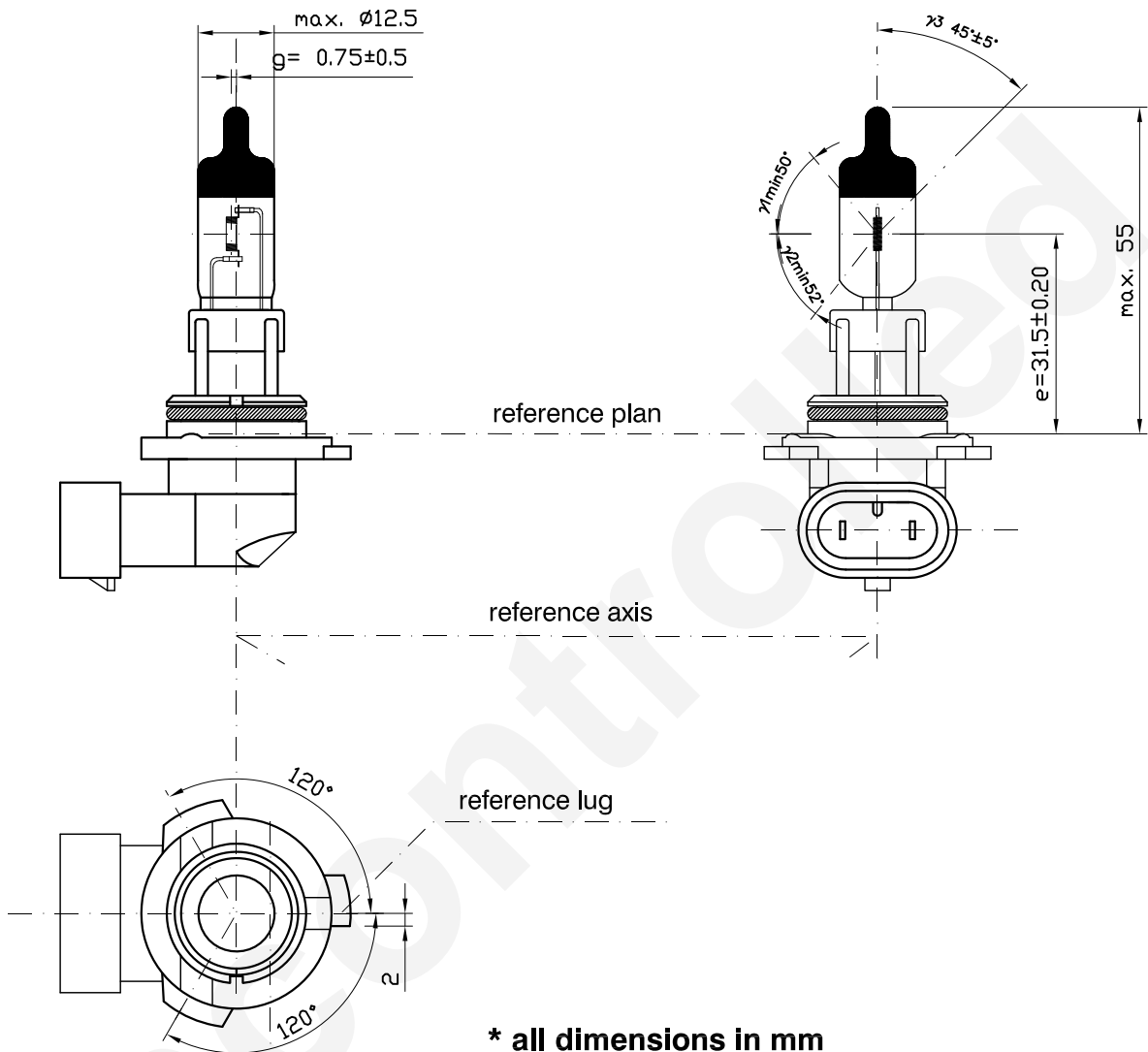
Product Information Sheet

9006 12V 80W

9006/80W

2012. 07. 31 NEW

OLD



\* all dimensions in mm

Halogen bulb
9006 RA 12V 80W
Cap: <sup>1)</sup> P22d
Type: 9006 Rally
ECE R37 None
FMVSS108 None
Bulb mat.: Hardglass
Made in korea / INCHEON

1) according to IEC 61-1 sheet 7004-32-1

Technical data		
Test voltage	13.2V	12.8V
Power	85W max	80W max
Luminous flux	1650lm $\pm 15\%$	1500lm $\pm 15\%$
Lumen maintenance	90 % min	90 % min
Rated life:	at 14.0V -Average 200 hr	

Maximum operating temperature:	bulb 650°C max pinch 400°C max
Operating position	vertical