



Since 1959

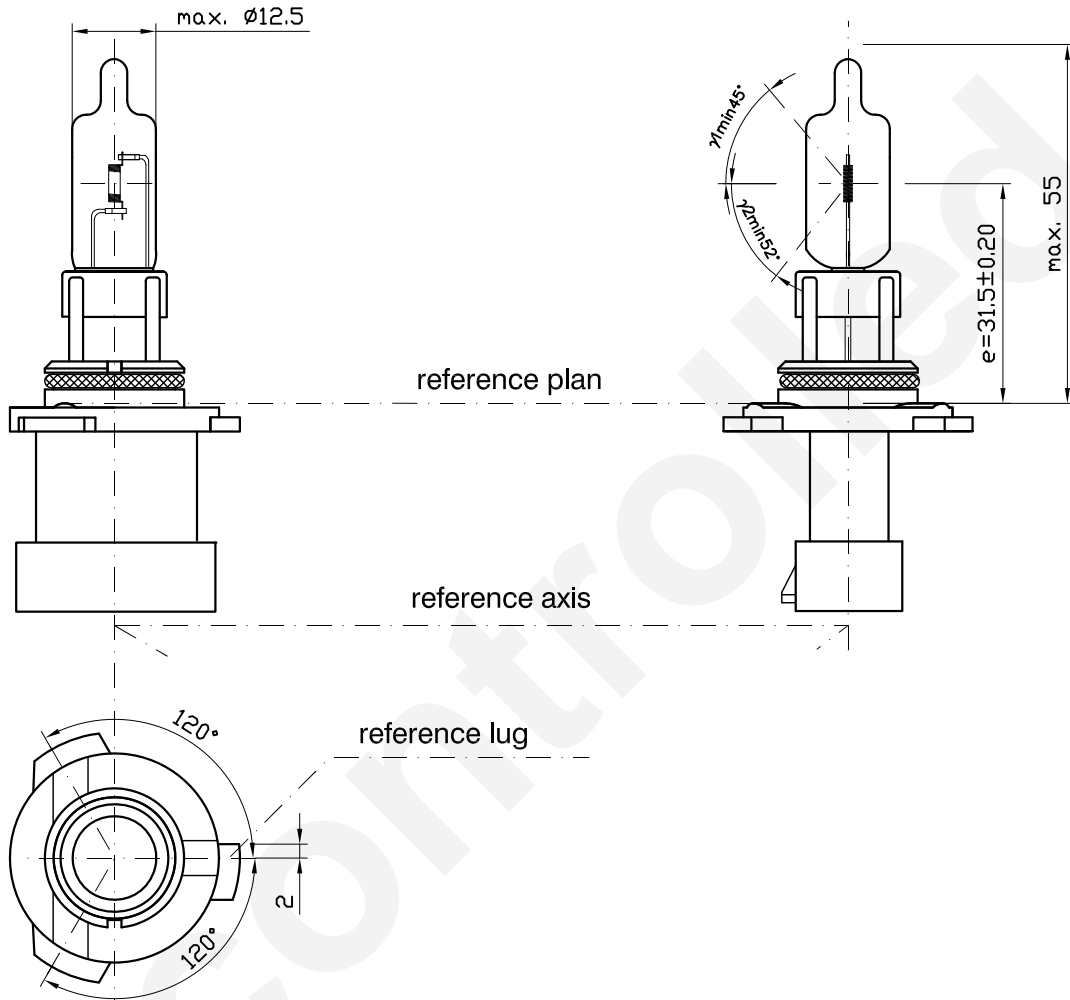
Product Information Sheet

9005XS 12V 100W

9005XS/100W

2014. 03. 20 NEW

OLD



* all dimensions in mm

Halogen bulb
9005XS RA 12V 100W
Cap: ¹⁾ P20d
Type: 9005XS Rally
ECE R37 None
FMVSS 108 None
Bulb mat.: Hardglass
Made in korea / Incheon

1) according to IEC 61-1 sheet 7004-31-1

Technical data		
Test voltage	13.2V	12.8V
Power	110W max	100W max
Luminous flux	2200lm $\pm 15\%$	2000lm $\pm 15\%$
Lumen maintenance	90 % min	90 % min
Rated life:	at 14.0V	
- characteristic Tc	- Average	
- B3	100 hr	

Maximum operating temperature:	bulb 650°C max pinch 400°C max
Operating position	vertical