



Since 1959

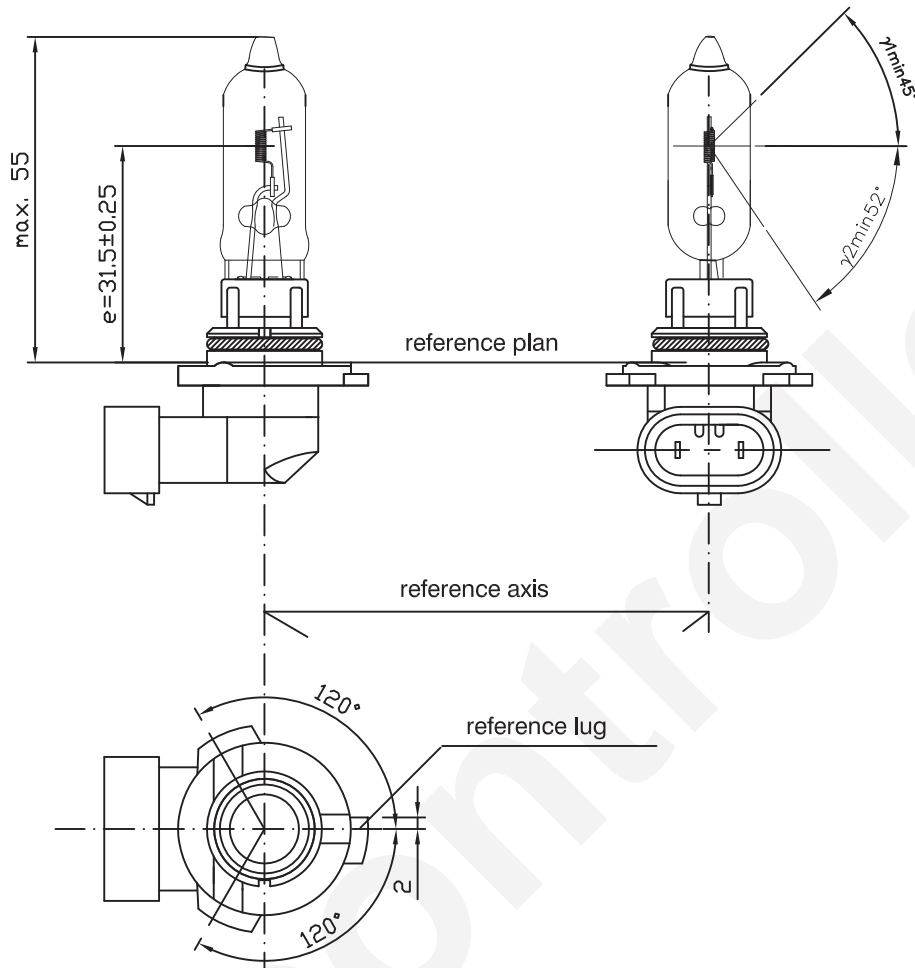
Product Information Sheet

HB3 9005L+ 12V 65W

No.: DHP-HB31201SPLL

2014. 04. 11 NEW

OLD



\* all dimensions in mm

Halogen bulb  
 HB3 12V 65W Super Longlife  
 Cap: 1) P20d  
 Type: 9005L+  
 ECE R37 (E13) 2L0  
 FMVSS 108 DOT  
 Bulb.: UV-Cutt Quartz glass  
 Made in Korea / INCHEON

1) according to IEC 61-1 sheet 7004-31-1

Technical data	R37	FMVSS108
Test voltage	13.2V	12.8V
Power	73W max	70W max
Luminous flux	1860lm ±12%	1700lm ±12%
Lumen maintenance	90 % min	90 % min
Rated life:	at 13.2V	at 14.0V
-characteristic Tc	1500 h min	-Average
-B3	800 h min	800 hr

Maximum operating temperature:	bulb 800°C max pinch 400°C max
Operating position	vertical