



Since 1959

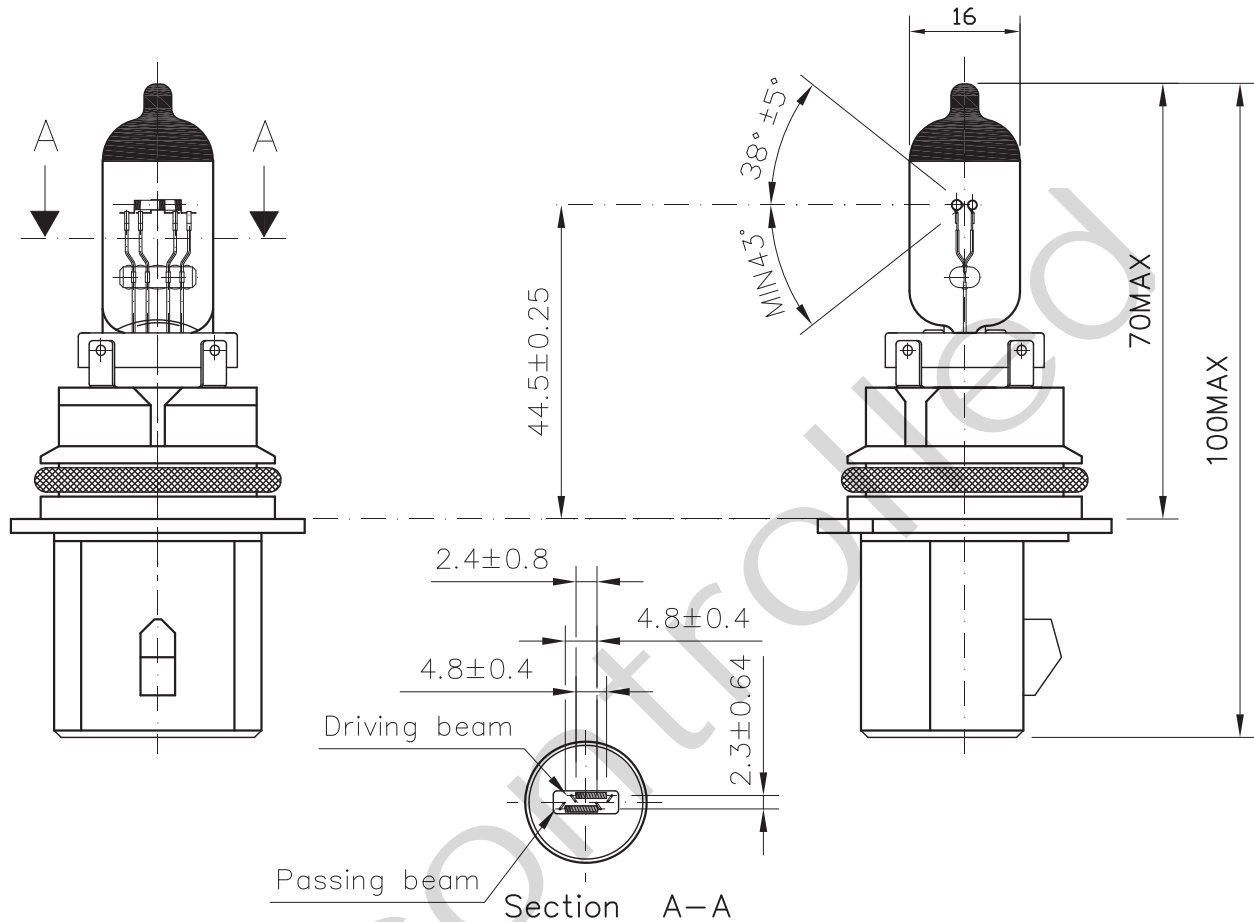
Product Information Sheet

9004 12V 100/80W

9004/100/80W

2013. 03. 05 NEW

OLD



Halogen bulb
 9004 12V 100/80W Rally
 Cap: ¹⁾ P29t
 Type: 9004RA
 ECE R37 None
 FMVSS 108 None
 Bulb mat,: Hardglass
 Made in china /JDH

1) according to IEC 61-1 sheet 7004-66-1, SAE J1383 and FMVSS 108

Technical data	
Test voltage	12.8V
DBF	MAX 100W
PBF	MAX 80W
Luminous flux	DBF 1600lm ±15%
	PBF 1300lm ±15%
Lumen maintenance	DBF 90 % min
	PBF 90 % min
Color Temperature	3200K
Rated life:	at 14.0V
DBF	75h average
PBF	150h average
Maximum operating temperature:	1:bulb 650°C max
	2:pinch 400°C max
Operating position	horizontal