



Since 1959

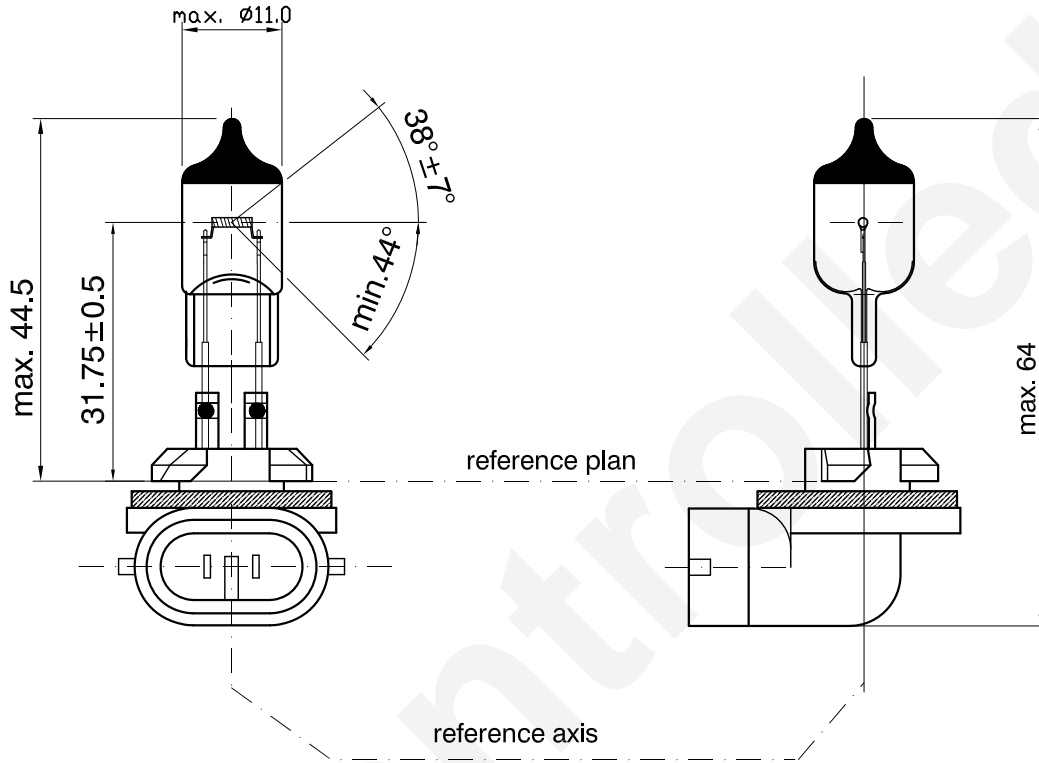
Product Information Sheet

898 12V 37.5W

898

2010. 12. 13 NEW

2009. 12. 31 OLD



* all dimensions in mm

Halogen bulb	
898 12V 37.5W	
Cap: ¹⁾	PGJ13
Type:	898
ECE R37	none
FMVSS108	none
Bulb mat.:UV-cut Hardglass	
Made in korea / INCHEON	

1) according to IEC 61-1 sheet 7004-107-1

2) Without black top

Technical data	
Test voltage	12.8V
Power	43W max
Luminous flux	²⁾ 750lm $\pm 15\%$
Lumen maintenance	85 % min

Rated life:	at 14.0V -Average 1200 hr
-------------	---------------------------------

Maximum operating temperature:	bulb 650°C max pinch 400°C max
Operating position	horizontal