



Since 1959

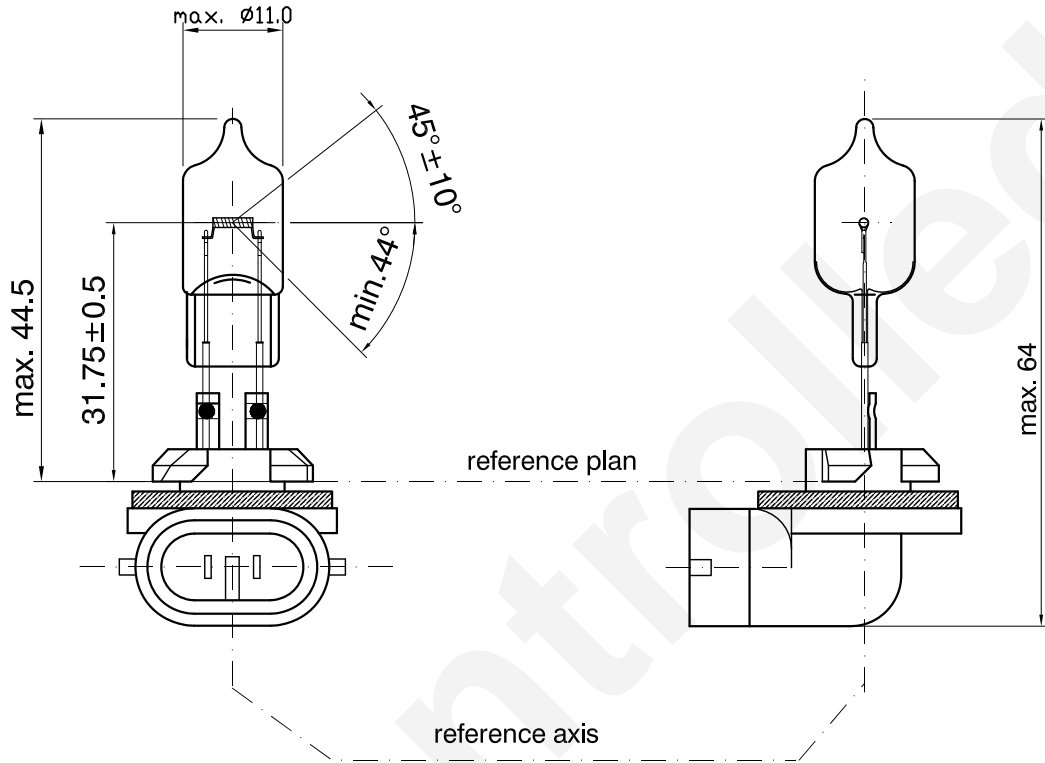
Product Information Sheet

894 12V 37.5W

894

2010. 12. 13 NEW

2009. 09. 09 OLD



\* all dimensions in mm

Halogen bulb	
894 12V 37.5W	
Cap: <sup>1)</sup>	PGJ13
Type:	894
ECE R37	none
FMVSS108	none
Bulb mat.:UV-cut Hardglass	
Made in korea / INCHEON	

1) according to IEC 61-1 sheet 7004-107-1

Technical data	
Test voltage	12.8V
Power	43W max
Luminous flux	940lm ±15%
Lumen maintenance	85 % min
Rated life:	at 14.0V -Average 200 hr

Maximum operating temperature:	bulb 650°C max pinch 400°C max
Operating position	horizontal