



Since 1959

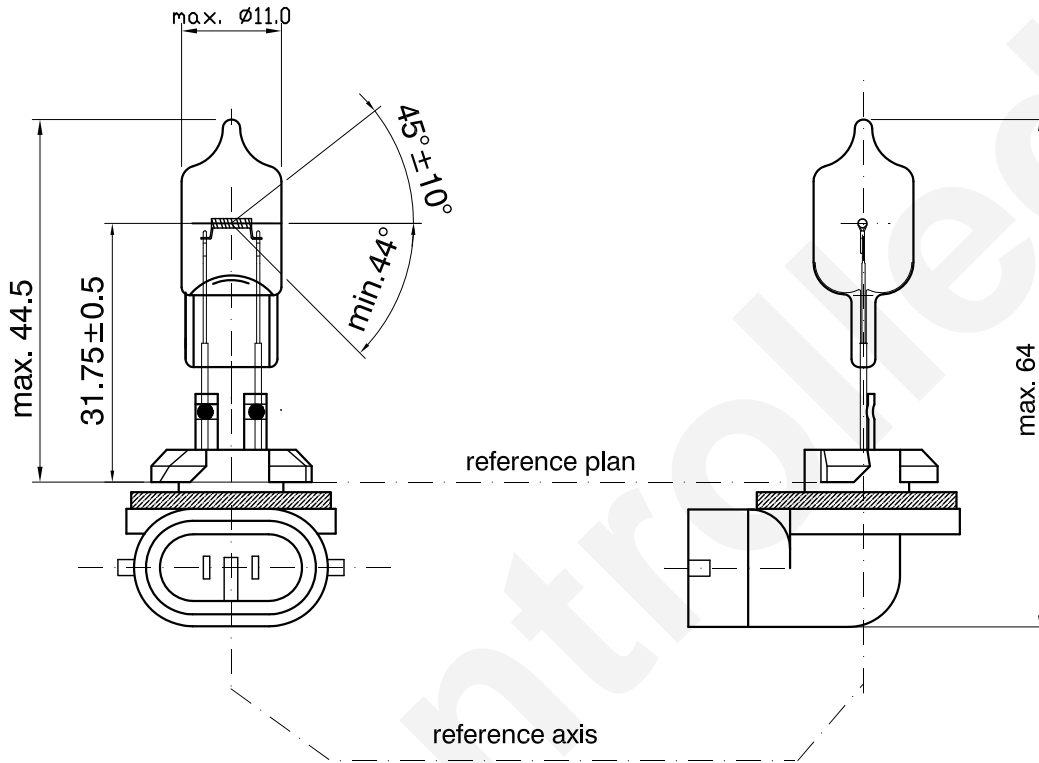
Product Information Sheet

886 12V 50W

886

2010. 12. 13 NEW

2009. 09. 09 OLD



* all dimensions in mm

Halogen bulb	
886 12V 50W	
Cap: 1)	PGJ13
Type:	886
ECE R37	none
FMVSS108	none
Bulb mat.:UV-cut Hardglass	
Made in korea / INCHEON	

1) according to IEC 61-1 sheet 7004-107-1

Technical data	
Test voltage	12.8V
Power	56W max
Luminous flux	1250lm±15%
Lumen maintenance	85 % min
Rated life:	at 14.0V -Average 200 hr

Maximum operating temperature:	bulb 650°C max pinch 400°C max
Operating position	horizontal