



Since 1959

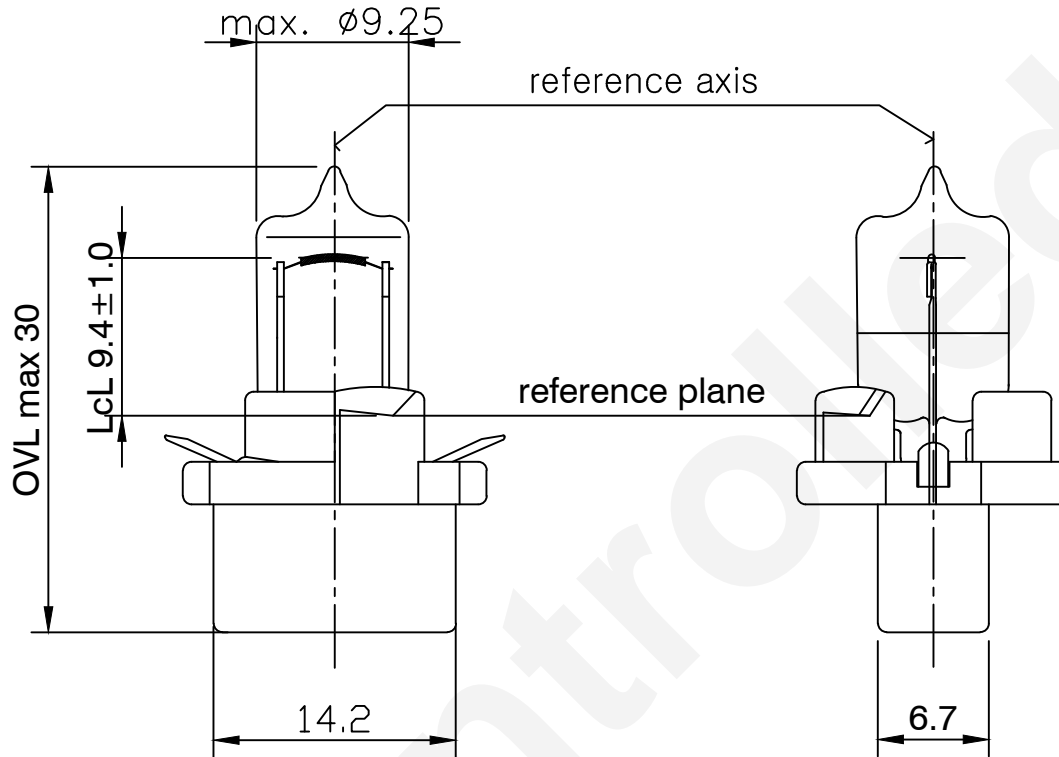
Product Information Sheet

882 12.8V 4W

No.:882 12.8V 4W

2016. 06. 16 NEW

2016. 01. 21 OLD



* LcL= Light center length

* all dimensions in mm

Halogen bulb
882 12.8V 4W
Cap: ¹⁾ W2.1X9.5d
Type: 882
ECE R37 none
FMVSS108 none
Bulb mat.:UV-cut Hardglass
Made in Korea / INCHEON

1) according to IEC 61-1 sheet 7004-9-1

Technical data	
Test voltage	12.8V
Power	4.48W±12%
Luminous flux	48Lm±20%
Lumen maintenance	85% min
Rated life: -average	at 14.0V 320 hr

Maximum operating temperature:	bulb 650°C max pinch 400°C max
Operating position	horizontal