



Since 1959

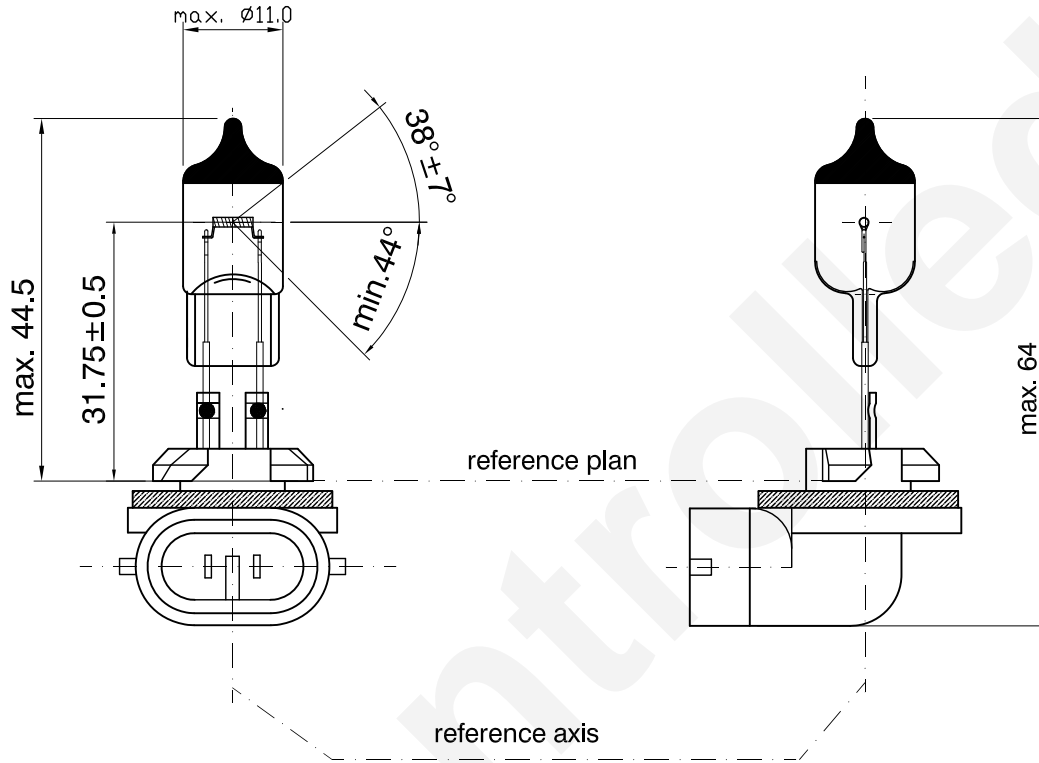
Product Information Sheet

H27W/2 (881) 12V 27W

881

2009. 05. 07 NEW

2009. 01. 23 OLD



\* all dimensions in mm

Halogen bulb  
 H27W/2 12V 27W  
 Cap: <sup>1)</sup> PGJ13  
 Type: 881  
 ECE R37 (E1) 2S2  
 FMVSS108 none  
 Bulb mat.: Hardglass  
 Made in korea / INCHEON

1) according to IEC 61-1 sheet 7004-107-1  
 2) Without black top

Technical data	R37	For USA
Test voltage	13.5V	12.8V
Power	31W max	30W max
Luminous flux	477lm±15%	<sup>2)</sup> 540lm ±15%
Lumen maintenance	85 % min	85 % min
Rated life:	at 13.5V 450 h min 150 h min	at 14.0V -Average 300 hr

Maximum operating temperature:	bulb 650°C max pinch 400°C max
Operating position	horizontal