



Since 1959

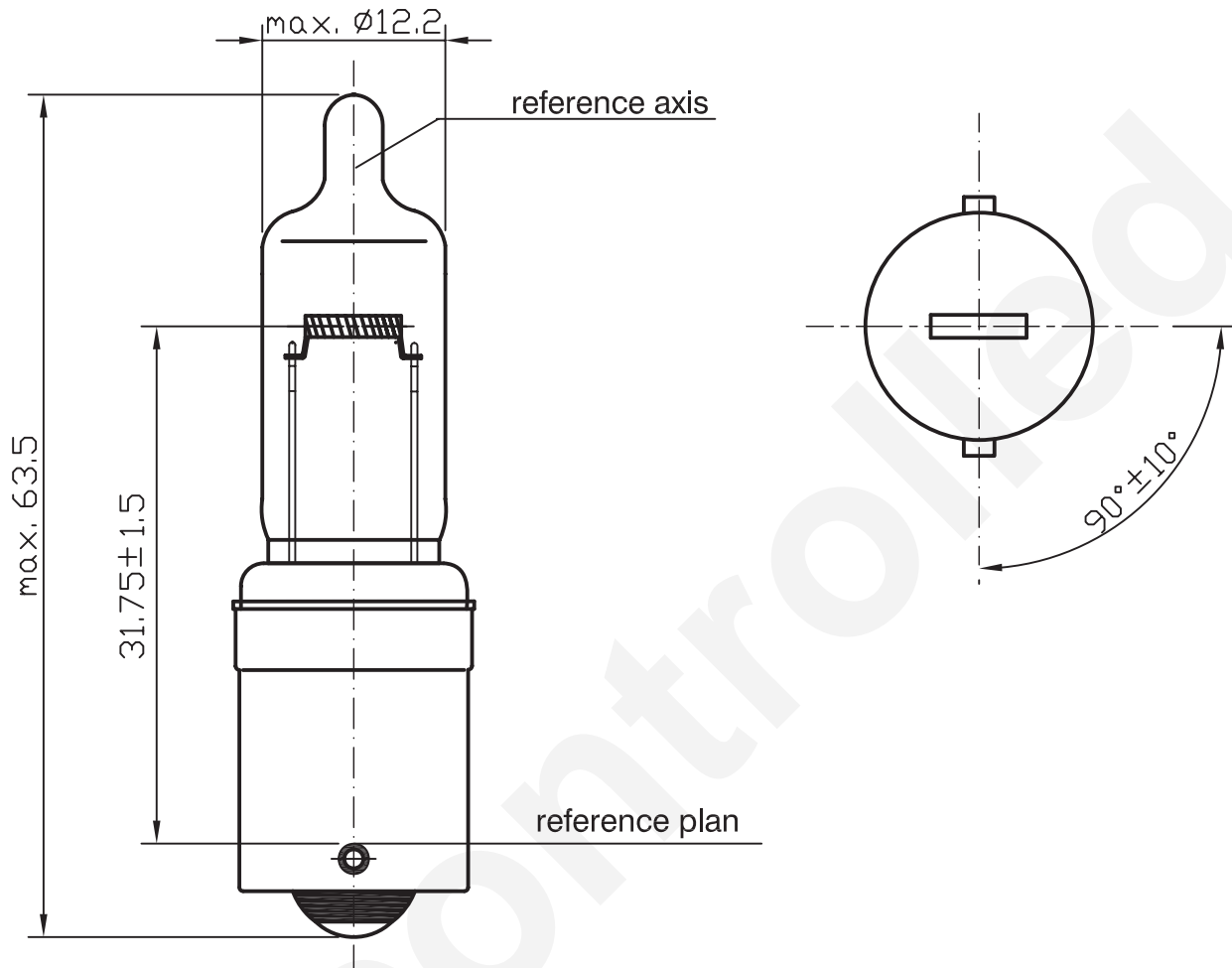
Product Information Sheet

796 12V 35W

No.: 796

2009. 10. 22 NEW

2009. 05. 13 OLD



* all dimensions in mm

Halogen bulb

796 12V 35W

Cap: 1) BA15s

Type: 796

ECE R37 None

FMVSS108 None

Bulb mat.: Hardglass

Made in korea / INCHEON

1) according to IEC 61-1 sheet 7004-11D-1

Technical data	
Test voltage	12.8V
Power	39W max
Luminous flux	710lm ±20%
Lumen maintenance	90 % min
Rated life:	at 14.0V -Average 300hr
Maximum operating temperature:	bulb 650°C max pinch 400°C max
Operating position	horizontal