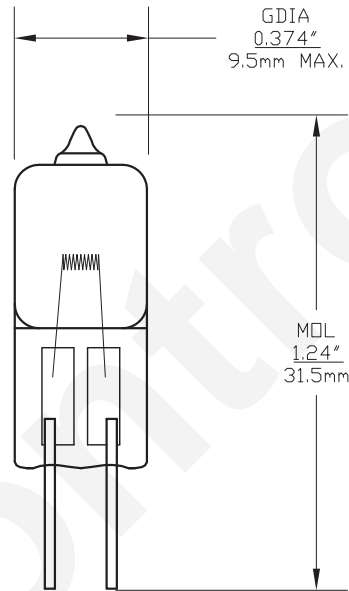


PART NO.	BASE TYPE	VOLTS	AMPS	WATTS	MSCP	FILAMENT TYPE	AVERAGE LIFE HOURS
786	G4 BI-PIN	6	2 ±10%	12	19 ±25%	C-6	50

REVISIONS			
REV	DESCRIPTION	DATE	APPROVED
1	ISSUED	12/04/2009	D.C.

T2-3/4



UNLESS OTHERWISE SPECIFIED: DIMENSIONS ARE IN INCHES TOLERANCES		CEC INDUSTRIES LTD			
DECIMALS .XX ± .05 .XXX ± .010 FRACTIONAL ±1/64		ANGULAR ± 0.5°		599 BOND STREET LINCOLNSHIRE, IL 60069	
DRAWN D.C.	DATE 12/04/2009	TITLE HALOGEN LIGHT BULB NO. 786			REV 1
CHECKED		SIZE A	FSCM NO.	DWG NO. 786	
DESIGN		SCALE	PLOT SCALE	SHEET 1 OF 1	
MATERIAL		FILE 786.dwg	DO NOT SCALE DRAWING		