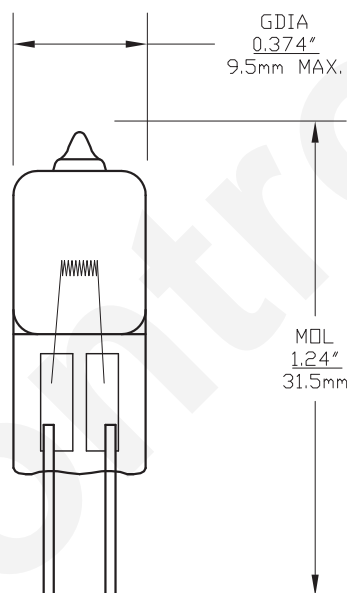


PART NO.	BASE TYPE	VOLTS	AMPS	WATTS	MSCP	FILAMENT TYPE	AVERAGE LIFE HOURS
783	G4 BI-PIN	12	1 ±10%	12	22 ±25%	C-6	50

REVISIONS			
REV	DESCRIPTION	DATE	APPROVED
1	ISSUED	12/04/2009	D.C.

T2-3/4



UNLESS OTHERWISE SPECIFIED: DIMENSIONS ARE IN INCHES TOLERANCES		CEC INDUSTRIES LTD			
DECIMALS .XX ± .05 ANGULAR ± 0.5°		599 BOND STREET LINCOLNSHIRE, IL 60069			
.XXX ± .010 FRACTIONAL ± 1/64		TITLE HALOGEN LIGHT BULB NO. 783			
DRAWN D.C.	DATE 12/04/2009	SIZE A	FSCM NO.	DWG NO. 783	REV 1
CHECKED		SCALE	PLOT SCALE	SHEET 1 OF 1	
DESIGN		FILE 783.dwg		DO NOT SCALE DRAWING	