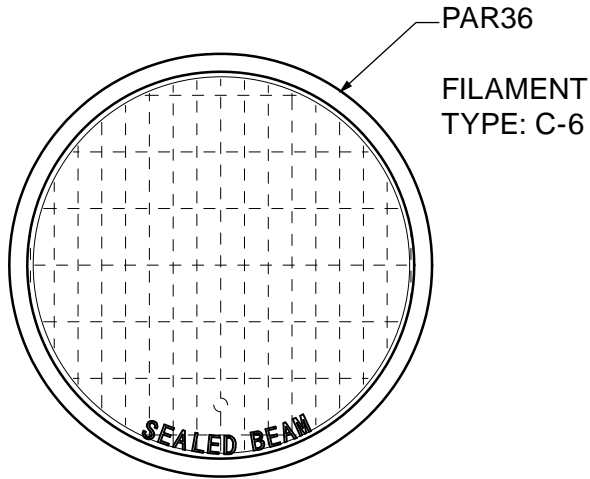




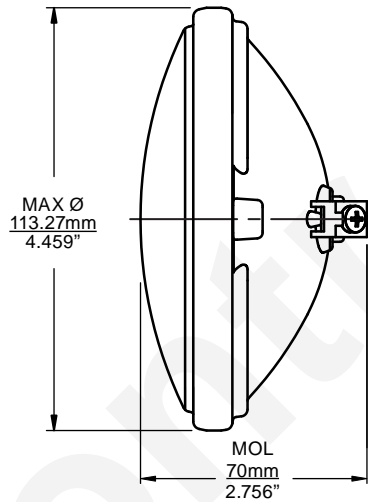
Since 1959

PART NO.	BASE TYPE	DESIGN VOLTS	DESIGN WATTS	APPROX. INITIAL MAX CP	BEAM SPREAD HOR. X VER. DEGREES	AVERAGE LIFE HOURS (AT 14V)	REVISIONS			
							REV #	DESCRIPTION	DATE	APPROVED
4411	2 SCREW TERMINALS	12.8	35±3	2,500	TRAPEZOIDAL	300	1	ISSUED	11/10/2016	RM
							2	CONNECTOR DISTANCE DIMENSION CHANGED	01/19/2017	RM

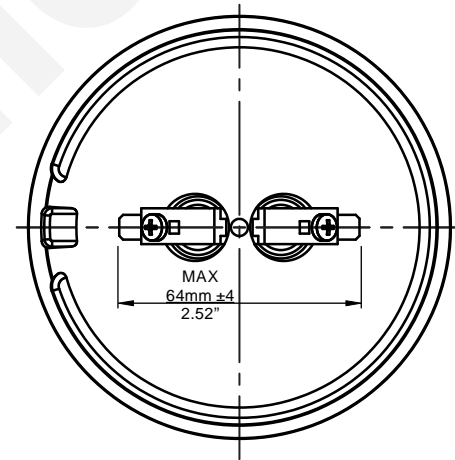
4411 12.8V 35W



0° VIEW



90° VIEW



180° VIEW



UNLESS OTHERWISE SPECIFIED: DIMENSIONS ARE IN INCHES TOLERANCES		CEC INDUSTRIES LTD			
DECIMALS	ANGULAR	599 BOND STREET		LINDOLNSHIRE, IL 60069	
.XX ± .05	± 0.5°				
.XXX ± .010					
FRACTIONAL	± 1/64				
DRAWN ROSE MEDINA	DATE 11/10/2016	TITLE SEAL BEAM 4411			
CHECKED		SIZE A	FSCM NO.	DWG NO. 4411	REV 2
DESIGN		SCALE	PLOT SCALE	SHEET 1 OF 1	
MATERIAL		FILE 4411.pdf	DRAWING NOT TO SCALE		