



Since 1959

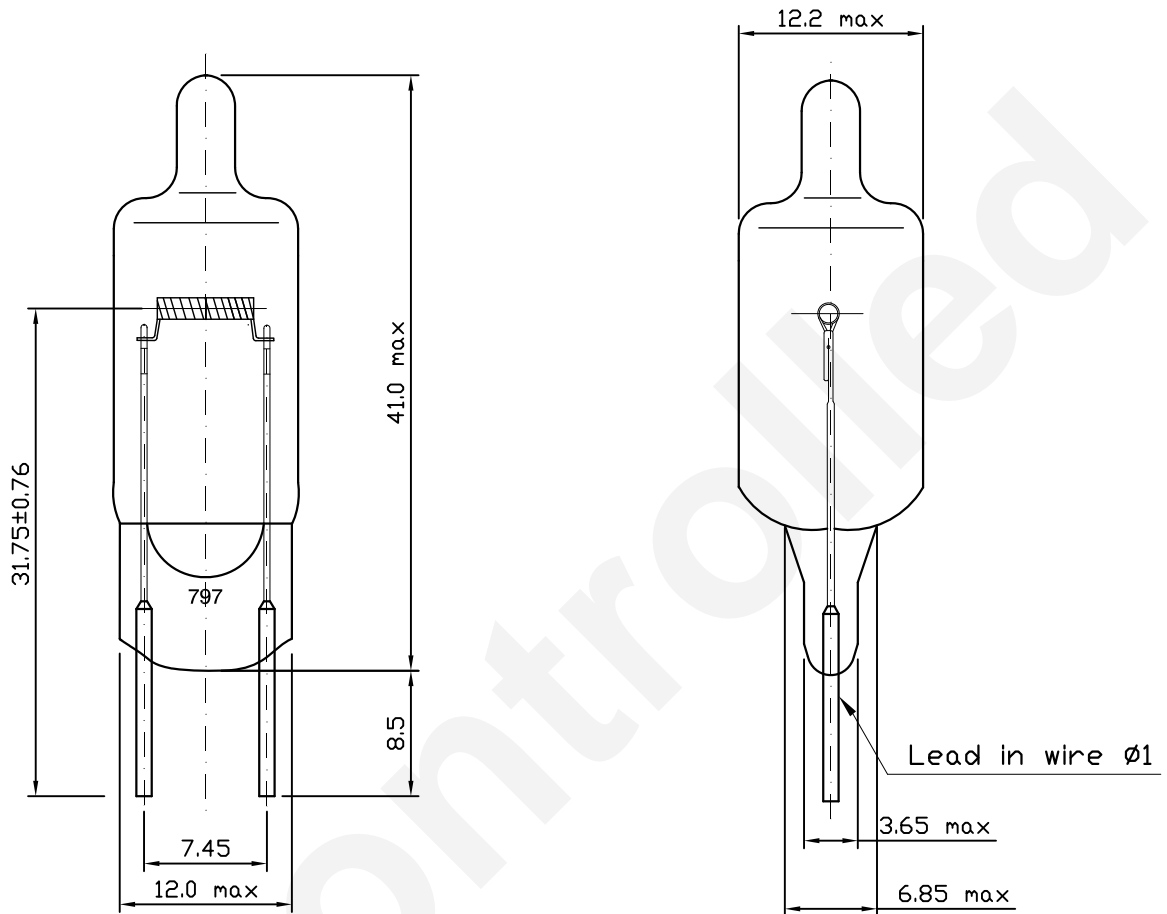
Product Information Sheet

797 12V 50W

1A/50W

2009. 05. 13 NEW

2005. 08. 16 OLD



※ all dimensions in mm

Halogen bulb

797 12V 50W

Cap: G7.1 (Two Pin)

Type: 797

ECE R37 None

FMVSS108 None

Bulb mat.: Hardglass

Made in korea / INCHEON

Technical data	
Test voltage	12.8V
Power	56W max
Luminous flux	1350lm±15%
Lumen maintenance	90 % min
	at 14.0V -Average 200hr
Maximum operating temperature:	bulb 650°C max pinch 400°C max
Operating position	horizontal