

ELM463 - Lighting Control Module with DRL

Features: Front Turn Signal bulbs used as Daytime Running Lights (DRL)
 Low current input DRL control
 Low current input Turn Signal control
 Low current input Hazard Warning control
 Brake Lamp control

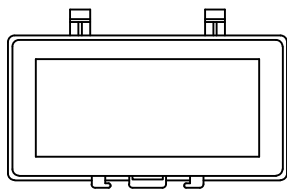
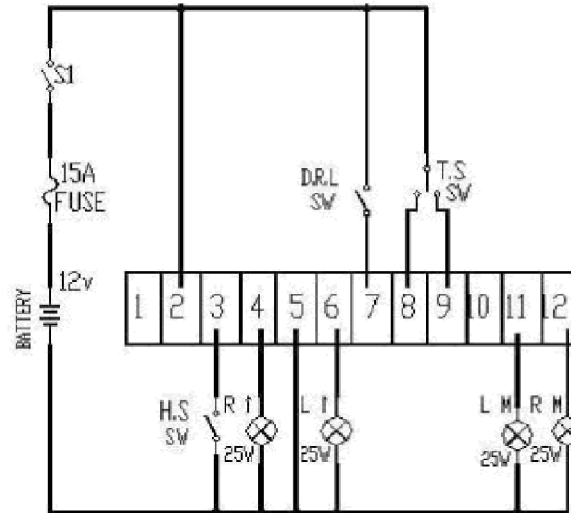
Specifications: AM noise reduction circuitry
 Designed for 2 Turn / 4 Hazard bulb load
 Max load -6 Lamps (with trailering) & 2 Telltales
 FMVSS108, J1054 & J1690 Class A.

Application: Ford, Mercury, Mazda

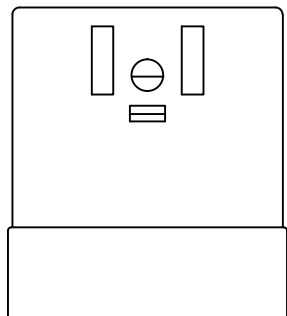
Shell Construction: Plastic
Rated Load: 1 TO 6 SAE Number 1156 Lamps. Not for LED
Lamp Ratings: No. 1156, 2.10 Amps. At 12.8 Volts
Temperature Operating Range: -25°F to 140° F (-32°C to 63°C)
Rated Voltage: 11 to 15 Volts DC
 128° F 11 to 13 Volts
 78°F 12.8 Volts
 0° 11 to 13 Volts

Voltage Drop at Rated Current: 500 mv
Time to First Flash: Less than 1.5 seconds
Flash Rate over Temperature Range: 60 to 120 Flashes Per Min.
Duty Cycle: 35% to 75%
Electrical Source:
 20 amps. Fused circuit recommended

1 Terminal = Fix Position 8 Terminal = T.S. Left Turn Switch
 2 Terminal = Battery (+) 9 Terminal = T.S. Right Turn Switch
 3 Terminal = H.W. S/W 10 Terminal = Fix Position
 4 Terminal = H.W. Right Brake Lamp 11 Terminal = Left DRL Lamp
 5 Terminal = Battery (-) 12 Terminal = Right DRL Lamp
 6 Terminal = Left Brake Lamp
 7 Terminal = DRL Switch



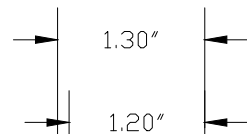
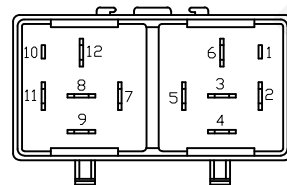
2.40"



2.79"

0.82"

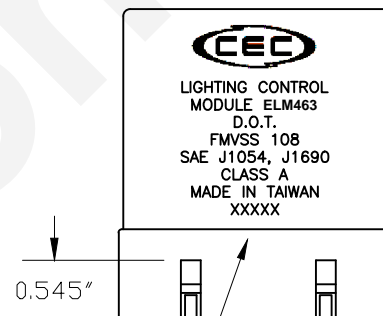
2.50"



1.30"

1.20"

HOUSING COLOR: YELLOW



0.545"

0.22"

DATE CODE
(5 DIGIT)

Date code (5 digits) , Julian date, first three digits = day of the year last 2 digits = last two digits of current year (example: 12308 = 123rd day of 2008)

REV	DESCRIPTION	DATE	APPROVAL
3	REVISED RATED LOAD NOT FOR LED	02/12/2018	R.M.
2	DATE CODE ADDED	08/07/2012	D.C.
1	ISSUED	06/25/2010	DC

REVISIONS

UNLESS OTHERWISE SPECIFIED: DIMENSIONS ARE IN INCHES TOLERANCES			
DECIMALS	ANGULAR		
XXX ± .05	± 0.2°		
XX ± .010			
FRACTIONAL	± 1/64		
DRAWN		DATE	
DC		06/25/2010	
CHECKED	SIZE	FSCM NO.	DWG NO.
	A		ELM463
DESIGN	SCALE	PLOT SCALE	SHEET 1 OF 1
MATERIAL	FILE	DO NOT SCALE DRAWING	
CEC INDUSTRIES LTD 599 BOND STREET LINCOLNSHIRE IL 60669 TITLE LIGHTING CONTROL MODULE ELM463			
			REV 3